



INFINITY

Ambient and Refrigerated Models

SERVICE and PARTS MANUAL



Number 1 Unit 11 Cowpasture Place Wetherill Park NSW 2164.

Phone : (02) 97566628, Email : sue@ccroyal.com.au, Web : www.ccroyal.com.au.

INTRODUCTION

Congratulations on the purchase of your vending machine. This vending machine has been designed to give you many years of dependable service. It requires little maintenance and is easy to set up and operate.

READ THIS MANUAL COMPLETELY

Your vending machine is designed to operate simply and reliably, but to take full advantage of your vendor, please read this owner's manual thoroughly. It contains important information regarding installation and operations, as well as a brief troubleshooting guide.

EQUIPMENT INSPECTION

After you have received your vendor and have it out of the box, place it on a secure surface for further inspection. **Note:** Any damages that may have occurred during shipping must be reported to the delivery carrier immediately. Reporting damages and the seeking of restitution is the responsibility of the equipment owner. The factory is willing to assist you in this process in any way possible. Feel free to contact our Customer Care Department with questions you may have on this process.

It is important that you keep the original packaging for your vending machine at least through the warranty period. If your machine needs to be returned for repair, you may have to purchase this packaging if it is not retained.

Once you have your vendor located, we suggest that you keep this manual for future reference, or you can view this manual online at www.croyal.com.au. Should any problems occur, refer to the section entitled "TROUBLESHOOTING". It is designed

to help you quickly identify a problem and correct it.



Number 1 Unit 11 Cowpasture Place Wetherill Park NSW 2164.

Phone : (02) 97566628, Email : sue@ccroyal.com.au, Web : www.croyal.com.au.

Table of Contents

INTRODUCTION.....	2
SPECIFICATIONS	4
CAUTIONS.....	9
DOOR CLEARANCE	10
LOADING PRODUCTS.....	10
PRODUCT PUSHERS	11
LOADING BAGGED OR BOXED ITEMS	11
LOCK.....	11
REFRIGERATION.....	12
REFRIGERATION STATUS DISPLAY	13
DISPLAY	13
SERVICE MODE.....	14
VMC – VENDING MACHINE CONTROLLER	14
SERVICE MODE NAVIGATION	15
MENU HIERARCHY	15
ERROR CODE MESSAGES.....	42
DELIVERY SYSTEM.....	45
PRODUCT TRAYS	45
PRICE SCROLLS AND SELECTION LABELS.....	45
VIGILANT VEND SENSOR SYSTEM.....	46
TROUBLESHOOTING	47
DRAWINGS AND PARTS LISTS.....	50

SPECIFICATIONS

Domestic (115 V)

Specifications	5-Wide	
	Ambient	Refrigerated
Height	72"	72"
Width	39"	39"
Depth	37"	37"
Floor Space	9.75 Sq. Ft.	9.75 Sq. Ft.
Packing Size	62.53 Cu. Ft.	62.53 Cu. Ft.
Voltage (AC)	115V	115V
Hertz	60Hz	60Hz
Running Amperes	3 Amp	3.5 Amp
Watts	115 Watts	920 Watts
Refrigerant Type	-	134a
Refrigerant Charge	-	10.3 oz

International (230 V)

Specifications	4-Wide		5-Wide	
	Ambient	Refrigerated	Ambient	Refrigerated
Height	184 cm	184 cm	184 cm	184 cm
Width	89 cm	89 cm	99 cm	99 cm
Depth	93 cm	93 cm	93 cm	93 cm
Floor Space	0.81 S Mtr	0.81 S Mtr	0.90 S Mtr	0.90 S Mtr
Packing Size	1.59 Cu Mtr	1.59 Cu Mtr	1.77 Cu Mtr	1.77 Cu Mtr
Voltage (AC)	230V	230V	230V	230V
Hertz	50Hz	50Hz	50Hz	50Hz
Running Amperes	3 Amp	3.5 Amp	3 Amp	3.5 Amp
Watts	220 Watts	1150 Watts	230 Watts	1150 Watts
Refrigerant Type	-	134a	-	134a
Refrigerant Charge	-	10.3 oz	-	10.3 oz

PHYSICAL CHARACTERISTICS

- Finish : Powder Coat paint
- Compliant with US ADA standards for vending equipment.

ENVIRONMENT

- Indoors only; Infinity Xtreme versions available from your Seaga distributor for outdoor use.

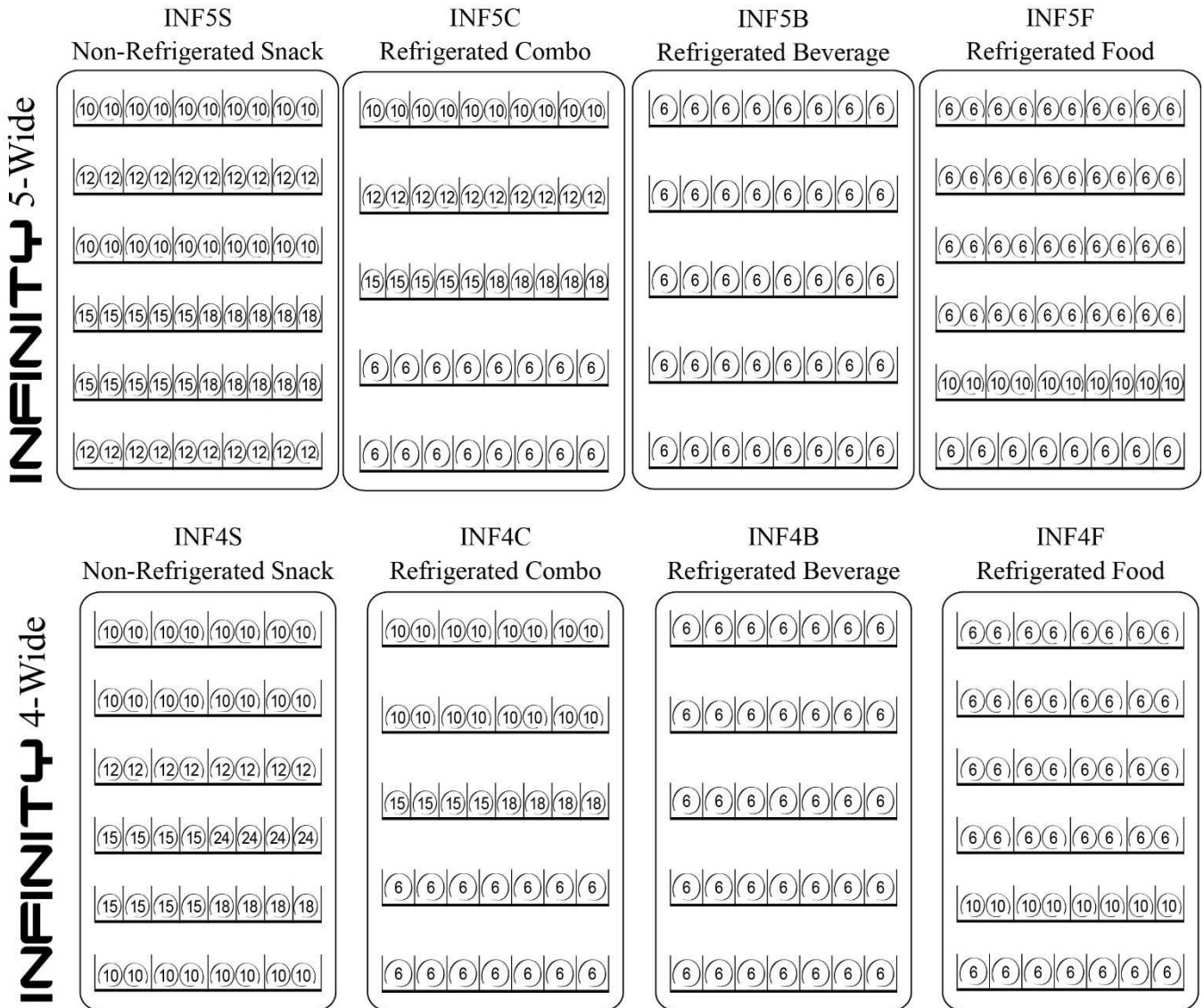
ELECTRICAL REQUIREMENT

Domestic versions require (1) 115 VAC 12 Amps grounded outlet
 International versions require (1) 230 VAC 12 Amps grounded outlet

STANDARD COIL CONFIGURATION

Custom configurations available.

Our standard configuration is subject to change without notice to keep up with market and location demand for new products.



Not all models available in all countries.

CAUTION: Certain procedures described in this manual require electrical power to the vending machine. Only trained personnel should perform these functions. Use extreme caution while performing the procedures marked with the voltage symbol shown here:



CAUTION: Certain procedures described in this manual require a qualified, trained technician to perform the particular task at hand. These procedures will be marked with the attention symbol shown here:



Fig. 1 - Exterior View (INF5C 5-Wide Combination Machine Shown)

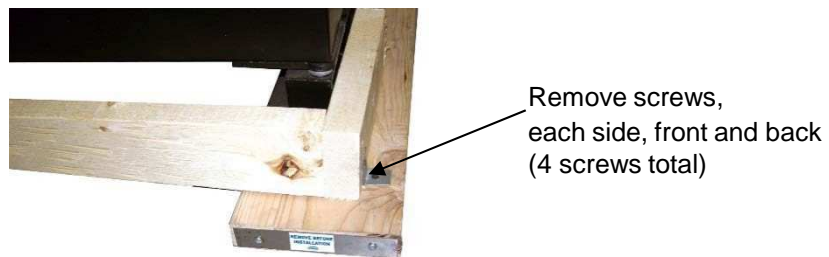


Your Infinity vending machine arrives with a special protected skid that prevents damage to the door due to improper lifting. When installing the machine on location, the Door Protectors and Skid Feet must be removed. A Phillips head screwdriver is required.

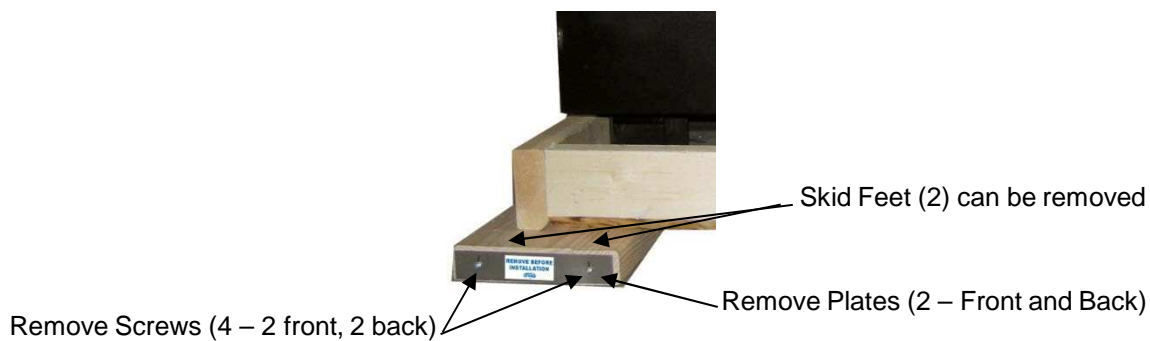
Fig. 2 – Door Protectors and Skid Feet



- 1.) Remove Front and Back Door Protectors by removing four screws (2 front, 2 back) from the skid feet.
(Fig. 2a)



- 2.) On each side of the vending machine, remove four (4) screws from the front and back of the skid feet, remove plates. The boards will then come apart and off the leg levels.
(Fig. 2b)



Proper leveling is also necessary to allow easy opening and closure of the vending machine door and to insure proper vending operation.

Fig. 3 - Leg Levelers

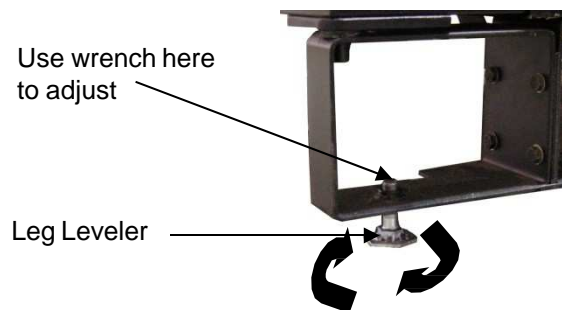
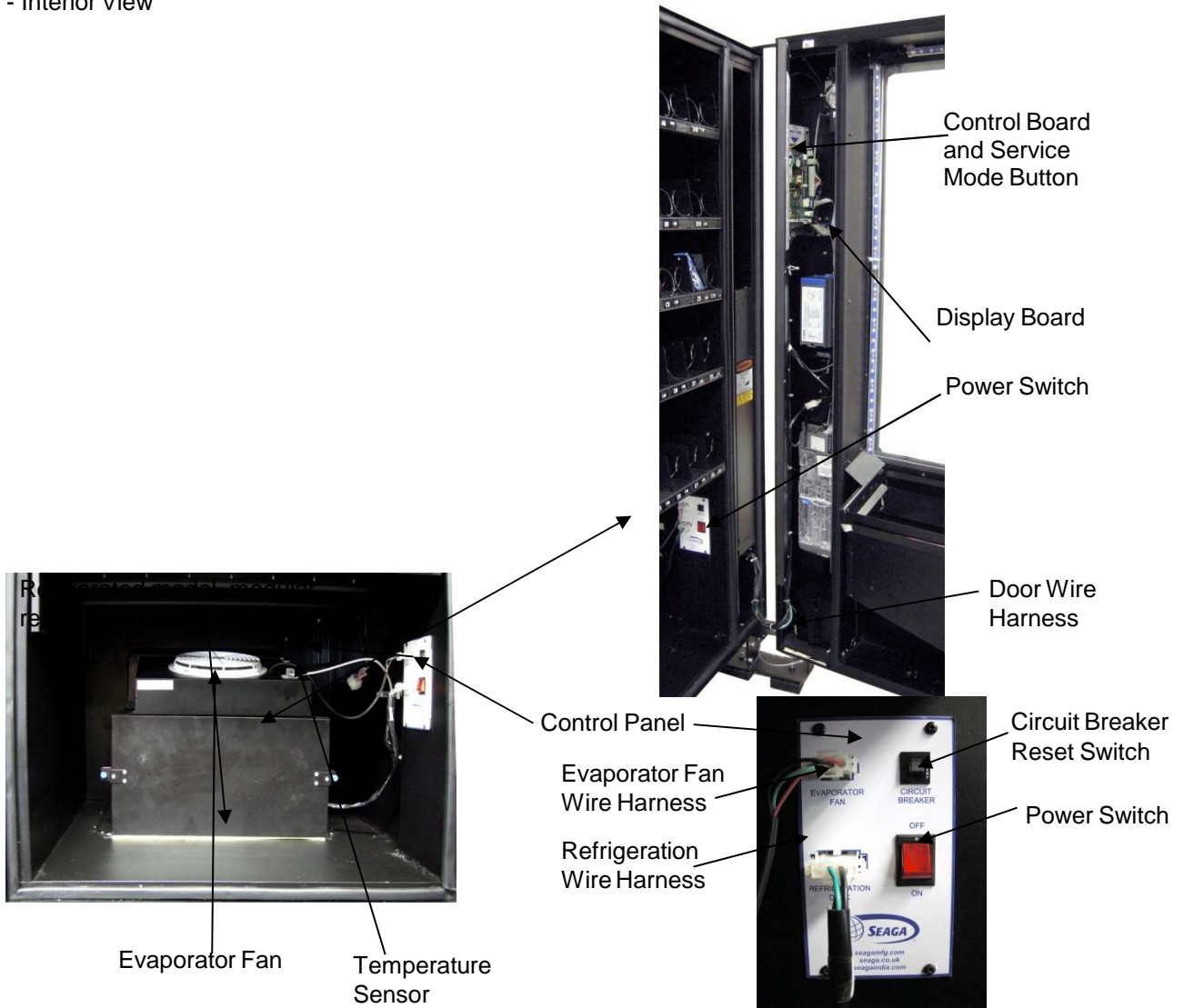


Fig. 4 - Interior View



CAUTIONS



Your vendor is intended for indoor use only.

Excessive heat, cold or humidity levels will void your warranty; install only in climate controlled, indoor environments. For indoor machines the temperature range must be no higher than 32°C/90°F and no lower than 10°C/50°F with a relative humidity (Rh) level of no greater than 40%.

Your vendor must be set on a level, well-supported location.

Always unload vendor before transporting it.

Remove all wire ties and protective sheeting prior to vending.



CAUTION!

It is important that this machine is hooked up to the proper voltage. Verify the voltage before connecting the machine to a wall outlet.



CAUTION!

Different countries may have different power arrangements. Insure that the machine is properly grounded before operating.



CAUTION!

If the power cord is damaged, it must be replaced by the manufacturer, authorized service agent or a similarly qualified person to avoid electrical hazards.



ATTENTION!

This vending machine is very heavy. Ensure that sufficient personnel are available for lifting or transporting the machine. Use proper lifting procedures and equipment.



CAUTION!

Certain components of this machine are sensitive to static electricity. Precautions for handling sensitive devices should be observed when handling these items.



ATTENTION!

Refrigerated models need air flow. Leave at least 6" between the back of the vending machine and the wall. Condenser cooling air is taken in the bottom and exhausted out the back of the machine. Clean the condenser once every two weeks or more often for dusty or dirty locations.

DOOR CLEARANCE

Allow 7" (18 cm) of clearance on the right side of the machine for the door to open and extend past the cabinet side. See also the clearance requirements in Section 2 for refrigerated units.

LOADING PRODUCTS

To present your product in as an attractive and professional manner as possible, do not load any damaged items, and make sure items are facing forward for easy identification by your customer.

Note: The size of the item being vended must be larger than the Helix Coil, but smaller than the Product Column to vend correctly. Never force an oversized item into the Helix Coil or Product Column, nor attempt to vend an item that is smaller than the Helix Coil as this will create problems and deter customers. (Fig.5)

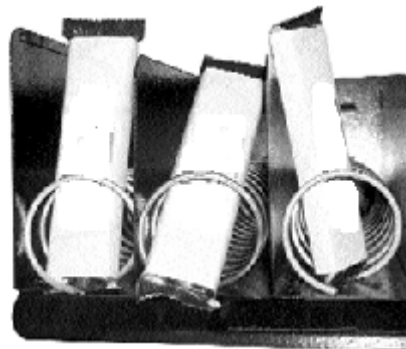
1. To Load Product:

- A.) Push down and hold the release latch located on the right side of the tray and slide the desired Product Tray toward you, all of the way forward. Product Tray will tilt down or can be removed and placed on the floor or a table. **Note: Pull out only one (1) Product Tray at a time. Beverage trays do not tilt for loading!**
- B.) Place product in proper size Helix Coil. Note: Bottom of product must rest on the Product Tray and not on the Helix Coil. (Fig. 5) Load each Product Chute from front to back. Note: Do not leave any spaces between items.
- C.) Once Product Tray is loaded, lift the front of the tray to level and push it back in. Repeat above steps until all Product Trays are fully loaded.
- D.) After loading the product, if you have removed the tray to do so, place the Tray in the cabinet by aligning the wheels in the guide rails. Clear the wire harness To the side so that it is not interfering with the tray below.

Note: We suggest that you always partially fill the vendor with product and perform at least five (5) test vends. Test vends can be performed easily by entering Service Mode and using the Diagnostics/Motors to select the selection to test.

Fig. 5 – Loading Helix Coils

Correct – load product between Helix Coils, resting on the product tray.



Incorrect

Helix Coil

Product Tray

Columns

Incorrect



Incorrect

Correct – load product between coils, resting on the product tray.

PRODUCT PUSHERS

Product pushers assist in moving the top of the product forward while it is being vended on the bottom, helping it fall smoothly from the shelf. Product pushers are also good for products that have the wrapper flaps on the ends of the package. Packaging such as this can benefit from the extra momentum that the product pushers give to keep the flaps from hanging up the product on the spiral. Product pushers are available from Seaga's Customer Care and Parts department. The pusher is installed approximately ½ inch (1.5 cm) from the end of the coil with the tab extending forward (see Fig. 6). Locate the pusher in its proper position, hold it against the coil wire and push the semi-circular part around the coil wire. Note: Boxed items will not need a product pusher.

Figure 6 – Product Pusher Installation



LOADING BAGGED OR BOXED ITEMS

Vending small bagged items in the 8 or 10 selection trays can be a problem when the products are not loaded properly. The flap edges of some products may get trapped under the spiral and cause the product to “hang up”. It is recommended that the bottom flap of this type of packaging be folded forward and up (Fig. 5) next to the product when loading. This type of packaging also lets the product settle to the bottom, so using the wider spirals is also recommended.

LOCK

Your vendor has one Lock, more commonly known as T-handle lock. To unlock the front door, insert key and turn clockwise ¼ turn. When unlocked the ‘T’ of the Lock will pop out from its base. Turn the ‘T’ counter clock wise to unlock the door. To lock the door, firmly close the door and turn the ‘T’ handle clockwise 1 to 2 times and then pull on the door to test that the lock has engaged. If so, then push the ‘T’ inside the Lock to lock the door and remove the key. Note: Do not over-tighten when locking – this could strip the threads and damage your machine.

REFRIGERATION

If you purchased a refrigerated model, please see special information throughout the manual regarding refrigeration, settings and other information. The refrigeration system consists of the Compressor, Relay Circuit, Accumulator, Condenser, Condenser Fan, Evaporator, Evaporator Fan and Air Duct. The entire refrigeration system is modular and has a separate internal power cord, which is plugged into the panel provided at the lower area below the bottom tray. The power switch has to be turned ON in order to start up the refrigeration system. There is a door switch that controls the refrigeration system ON and OFF condition. When the door is opened, the door switch is not depressed and the refrigeration system shuts OFF. When the door is closed, the switch is activated and the evaporator fan starts turning. There will be a few seconds delay before compressor starts running after the door closure.

There is a vent on the cabinet back to blow the air from condenser. The inlet vent is at the bottom of the cabinet in front of the condenser. The condenser has to be cleaned regularly. The recommended frequency is once every two weeks. There are 2 thumb screws around the front of the refrigeration module that have to be unscrewed in order to remove the front door of the refrigeration module. This will provide the access to the condenser. Using a vacuum cleaner or a brush, clean the lint in between the condenser fins. Note: Be careful not to bend the fins – this could restrict airflow and damage your machine.

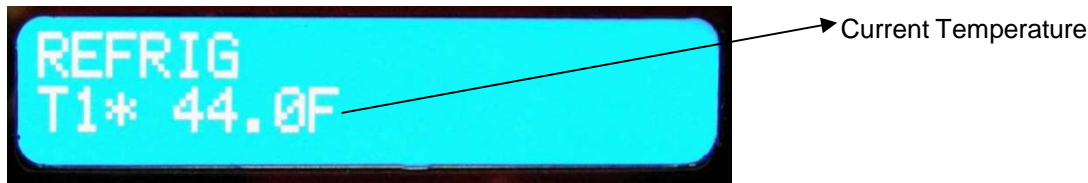
The compressor and the relay circuit, condenser fan motor and drain pan can be accessed in the same manner by removing the front door. The refrigeration system has to be unplugged and the module has to slide completely outside in order to gain access to these components.

NOTE: When moving the vending machine, care must be taken to never tilt the unit more than 20° in any direction. After moving, DO NOT plug the unit in to power so that the compressor system oils are allowed to settle. Failure to heed these instructions can cause severe damage to your vending machine and void your warranty.

REFRIGERATION STATUS DISPLAY

Use the “#” key on the Keypad to display the following indications of the refrigeration system on the LCD Display:

Figure 8 – Refrigeration Indicators on LCD Display



DISPLAY

The LCD Display (Fig. 9) is a two line, 20 character text display panel located on the front of your vending machine. The display interacts with the customer to show the amount of money entered into the vendor and the cost of their selection among other information as programmed. The display also shows the operator the Service Mode functions for setting the vendor.

Fig. 9 – LCD Display in Sales Mode



Display Formats	When in Sales Mode Display Reads
Normal Operation, no credit available	WELCOME! Please insert cash and make your selection..;
Normal Operation, some credit available	\$00.01 – 99.99
After Pressing a selection, if there is no credit or the credit is less than the selection's price, the price of the selection is displayed for a few seconds before reverting to one of the above credit display formats. (If a coin or other payment is made the display reverts immediately to display the credit available)	Price \$00.01 – 99.99
Free Vend Mode (all prices set to zero)	Free Vend
If a selection is out of stock when a selection is pressed – this is displayed for a few seconds	Sold Out
All Items out of stock	Sold Out
Machine Out Of Order	Out of Order
During a Vend (Progress bar, dashes)	-----
Exact Change required	Exact Change Only
Temperature Display Press the # button to display	Temp nnF (C)

Date and Time are always displayed on the second line in Sales Mode. If a calorie value is set for a selection, the value will be displayed when the product is vended or when a selection is made without any credit.

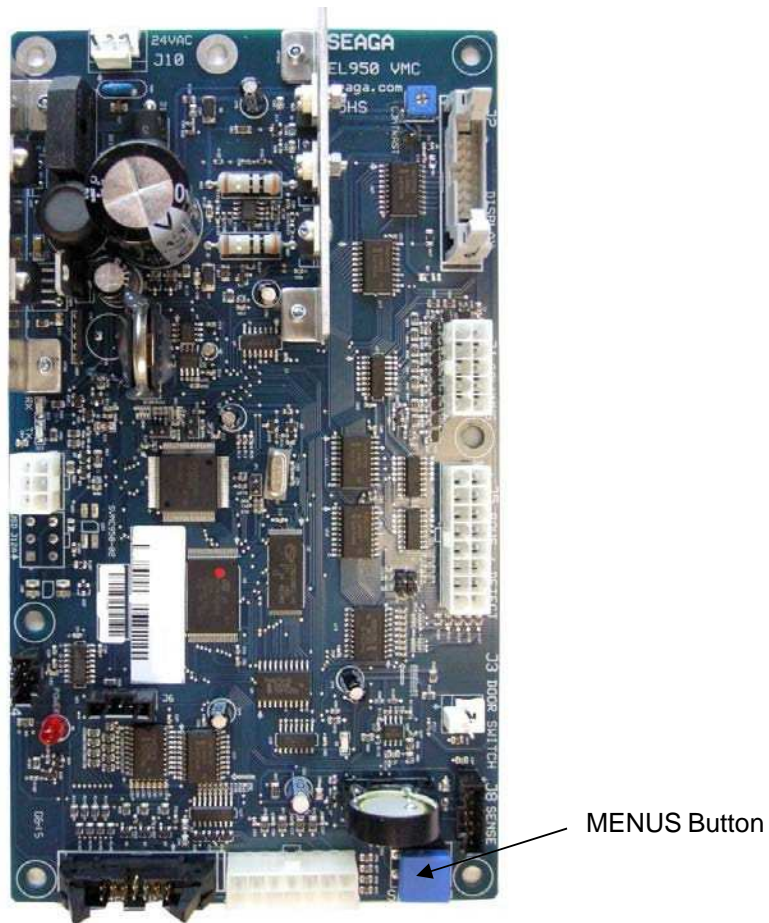
SERVICE MODE

The operation of the machine can be adjusted by entering service mode by pressing the MENUS button on the VMC circuit board and then accessing the appropriate operation. Price setting, audit display and operating modes can be read and adjusted from here. The user can also perform tests on the machine through this mode. Note: any Credit will be cancelled on entry to Service Mode.

VMC – VENDING MACHINE CONTROLLER

Enter Service Mode by pressing the MENUS Button on the VMC Circuit board. (Fig. 11)

Figure 11 – VMC and Menu Button



SERVICE MODE NAVIGATION

Use the 0 through 9 keys to access the various menus and sub-menus.

Use the "*" key on the keypad to Exit without changing or to go back (Previous).

Use the "#" key on the keypad to Save.

1	2	3
4	5	6
7	8	9
*	0	#

* = Exit or Next
= Save

MENU HIERARCHY

1 PRICE	2 CASH	3 QTY/TUBE	4 CONFIGURATION	5 OPTIONS
All Items Row Selection Coupon Token Combo	All Items Row Selection	<i>Enter this mode when priming/filing the changer</i>	Date/Time Health Safety Language All Items – Type Row – Type Selection – Type Auto Reinstate Space to Sales (StS) StS Custom Advanced (pw) Beep Enable Optics Disable Motor type Temp Selection Style Touch Comm	Forced Vend Bill Escrow Multi-Vend Free Vend Fast Change Optical Vend POS Message Set Point Drop Sensor
6 ADVANCED	7 MOTORS	8 SELECTION	9 SELECTION: ALL	0 TEST MODES
Discount Exact Change Unconditional Acceptance Max Change Shutdown Energy Savings Pair	<i>Enter this mode to verify motor count after changing selections or trays or as a test to verify all motors are operating</i>	<i>Enter this mode to perform a single test vend on a selection of your choice</i>	<i>Enter this mode to perform a loop style test vend on all selections USE ONLY WHEN COILS ARE EMPTY! To stop the loop test, press *</i>	Relays Vend Sensor Drop Bias Setting* <i>Do not use</i> System Logs* <i>Do not use</i> On Door Manual Defrost

1. PRICEPROGRAM

Price Program is used to set the prices for All Items, by Row or by individual Selection. Save time and set All Items to the most common price, going back to Row or Selection for different prices as required.

ALL ITEMS

STEP		DISPLAY
1.	Press Service Mode Button	Motor Count or Error Code **
2.	Press 1 for Price Program	Price Program
3.	Press 1 for All Items	All Items: \$--.-- (flashes current price) *-Exit, no change
4.	Use number keys to enter new price	All Items: (New Price) *-Exit, no change # -Save Press # to Save
5.	Press * two times to exit to Sales Mode	Price Program

ROW

STEP		DISPLAY
1.	Press Service Mode Button	Motor Count or Error Code **
2.	Press 1 for Price Program	Price Program
3.	Press 2 for Row	Row: -- \$--.-- Use keypad to choose Row. *-Exit, no change
4.	Use keypad to choose Row. Use number keys on the keypad to set new price, including cents.	Row: (New Row and Price) *-Exit, no change # -Save
5.	Press * two times to exit to Sales Mode	Price Program

SELECTION

STEP		DISPLAY
1.	Press Service Mode Button	Motor Count or Error Code **
2.	Press 1 for Price Program	Price Program
3.	Press 3 for Selection	Selection: -- \$--.-- *-Exit, no change
4.	Use the keypad to choose one Selection. Use number keys on the keypad to set new price, including cents.	Selection: (New Selection and Price) *-Exit, no change # -Save
5.	Press * two times to exit to Sales Mode	Price Program

COUPON

IMPORTANT: This option requires a programmed validator. Up to five different coupon values can be set. In sales mode, once a coupon is accepted, no further coupons will be accepted until a successful vend has been made. If no value is set, coupons will be shown as free vends. If using both coupons and tokens, there are only five selection combinations available. For example, if Coupon1 is set for "All" items, Token1 is also set for "All" items.

STEP		DISPLAY
1.	Press Service Mode Button	Motor Count or Error Code **
2.	Press 1 for Price Program	Price Program
3.	Press 4 for Coupons	Coupons *-Exit, no change
4.	Press 1 for Coupon1 (or corresponding number for additional coupons, up to Coupon5)	Coupon1 *-Exit, no change # -Save
5.	Press 1 for All Items	All Items (Current Setting) *-Exit, no change 1-Edit
6.	Press 1 to toggle On/Off	All Items (Choice Flashing) *-Exit, no change # -Save
7.	Press # to Save the new setting	All Items (New Setting) *-Exit, no change # -Save
8.	Press * to return to Coupon1	Coupon1
9.	Press 4 to enter Coupon Value menu	Coupon1: \$0.00 *-Exit, no change # -Edit
10.	Press # to edit Coupon1 value	Coupon1: \$0.00 *-Exit/Del # -Save
11.	Enter Coupon1 value	Coupon1: \$0.00 *-Exit, no change # -Save
12.	Press # to Save the Coupon1 Value setting	Coupon1: \$(New Value) *-Exit, no change # -Save
13.	Press * two times to continue to Coupon2 – 5 or press * four times to exit.	Price Program

COUPON BY ROW

STEP		DISPLAY
1.	Press Service Mode Button	Motor Count or Error Code **
2.	Press 1 for Price Program	Price Program
3.	Press 4 for Coupons	Coupons *-Exit, no change
4.	Press 1 for Coupon1 (or corresponding number for additional coupons, up to Coupon5)	Coupon1 *-Exit, no change # -Save
5.	Press 1 for All Items to verify Off	All Items (Current Setting) *-Exit, no change # -Save
6.	Press 1 to toggle On/Off if necessary	All Items (Choice Flashing) *-Exit, no change # -Save
7.	Press # to Save the new setting to Off if necessary	All Items (New Setting) *-Exit, no change # -Save
8.	Press * to return to Coupon1	Coupon1
9.	Press 2 to enter a Row Number	Row: -- *-Exit
10.	Enter Row Number	Row: XX (Current Setting) *-Exit/Del # -Edit
11.	Press 1 to toggle Row On/Off	Row: XX (Choice Flashing) *-Exit, no change # -Save
12.	Press # to save the setting	Row: XX (New Setting) *-Exit, no change # -Edit
13.	Press * twice to return to the Coupon1 menu	Coupon1

14.	Press 4 to enter Coupon Value menu	Coupon1: \$0.00 *-Exit, no change #-Edit
15.	Press # to edit Coupon1 value	Coupon1: \$0.00 *-Exit, no change #-Save
16.	Enter Coupon1 value	Coupon1: \$0.00 *-Exit, no change #-Save
17.	Press # to Save the Coupon1 Value setting	Coupon1: \$(New Value) *-Exit, no change #-Save
18.	Press * two times to continue to Coupon2 – 5 or press * five times to exit.	Price Program

COUPON BY ITEM

STEP		DISPLAY
1.	Press Service Mode Button	Motor Count or Error Code **
2.	Press 1 for Price Program	Price Program
3.	Press 4 for Coupons	Coupons *-Exit, no change
4.	Press 1 for Coupon1 (or corresponding number for additional coupons, up to Coupon5)	Coupon1 *-Exit, no change #-Save
5.	Press 1 for All Items to verify Off	All Items (Current Setting) *-Exit, no change #-Save
6.	Press 1 to toggle On/Off if necessary	All Items (Choice Flashing) *-Exit, no change #-Save
7.	Press # to Save the new setting to Off if necessary	All Items (New Setting) *-Exit, no change #-Save
8.	Press * to return to Coupon1	Coupon1
9.	Press 3 to enter an Item	Selection: -- *-Exit
10.	Enter Item Number	Selection: XX (Current Setting) *-Exit, /Del 1-Edit
11.	Press 1 to toggle Item On/Off	Selection: XX (Choice Flashing) *-Exit, no change 1-Edit
12.	Press # to save the setting	Selection: XX (New Setting) *-Exit, no change #-Edit
13.	Press * twice to return to the Coupon1 menu	Coupon1
14.	Press 4 to enter Coupon Value menu	Coupon1: \$0.00 *-Exit, no change #-Edit
15.	Press # to edit Coupon1 value	Coupon1: \$0.00 *-Exit, no change #-Save
16.	Enter Coupon1 value	Coupon1: \$0.00 *-Exit, no change #-Save
17.	Press # to Save the Coupon1 value setting	Coupon1: \$(New Value) *-Exit, no change #-Save
18.	Press * two times to continue to Coupon2 – 5 or press * five times to exit.	Price Program

TOKEN

IMPORTANT: This option requires a programmed changer and allows you to set the value of tokens accepted.
 Note: If Space to Sales Whole Machine is On and you are setting Tokens by Row, the Row must be set to Row 1. If using both coupons and tokens, there are only five selection combinations available. For example, if Coupon1 is set for "All" items, Token1 is also set for "All" items.

STEP		DISPLAY
1.	Press Service Mode Button	Motor Count or Error Code **
2.	Press 1 for Price Program	Price Program
3.	Press 5 for Tokens	Tokens *-Exit, no change
4.	Press 1 for Token1 (or corresponding number for additional tokens, up to Token5)	Token1 *-Exit, no change #-Save
5.	Press 1 for All Items	All Items (Current Setting) *-Exit, no change 1-Edit
6.	Press 1 to toggle On/Off	All Items (Choice Flashing) *-Exit, no change #-Save
7.	Press # to Save the new setting	All Items (New Setting) *-Exit, no change #-Save
8.	Press * to return to Token1	Token1
9.	Press 4 to enter Token Value menu	Token1: \$0.00 *-Exit, no change #-Edit
10.	Press # to edit Token1 value	Token1: \$0.00 *-Exit, no change #-Save
11.	Enter Token1 value	Token1: \$0.00 *-Exit, no change #-Save
12.	Press # to Save the Token1 Value setting	Token1: \$(New Value) *-Exit, no change #-Save
13.	Press * two times to continue to Token2 – 5 or press * four times to exit.	Price Program

TOKEN BY ROW

STEP		DISPLAY
1.	Press Service Mode Button	Motor Count or Error Code **
2.	Press 1 for Price Program	Price Program
3.	Press 5 for Tokens	Tokens *-Exit, no change
4.	Press 1 for Token1 (or corresponding number for additional tokens, up to Token5)	Token1 *-Exit, no change #-Save
5.	Press 1 for All Items to verify Off	All Items (Current Setting) *-Exit, no change 1-edit
6.	Press 1 to toggle On/Off if necessary	All Items (Choice Flashing) *-Exit, no change 1-edit
7.	Press # to Save the new setting to Off if necessary	All Items (New Setting) *-Exit, no change #-Save
8.	Press * to return to Token1	Token1
9.	Press 2 to enter a Row Number	Row: -- *-Exit
10.	Enter Row Number	Row: XX (Current Setting) *-Exit, no change #-Edit
11.	Press 1 to toggle Row On/Off	Row: XX (Choice Flashing) *-Exit/del #-Save
12.	Press # to save the setting	Row: XX (New Setting) *-Exit, no change #-Edit
13.	Press * twice to return to the Token1 menu	Token1

COMBO

STEP		DISPLAY
1.	Press Service Mode Button	Motor Count or Error Code **
2.	Press 1 for Price Program	Price Program
3.	Press 6 for Combo	Combo
4.	Press 1 for Combo1 (or corresponding number for additional combos, up to Combo5)	Combo1: --- \$0.00 *-Exit, no change
5.	Enter First Combo Item Number and Price. Press # to Save. Press 1 to enter the Selection Ranges.	Combo1: ### \$-.- *-Exit, no change #-Edit 1-Next
6.	Enter Range number, then enter selection numbers Note: A Range represents the first selection(s) in the combo. In our example, the range would be selection 110 to 110. A second range would be set for selection 131 to 131 and the third range for 142 to 142. This would complete the three item Combo.	Range1: --- to --- *-Exit, no change #-Save
7.	Press 1 to set the next Range.	Range2: ### to ### *-Exit, no change 1-Next
8.	To continue setting Ranges, repeat step 6 and 7. There are 5 ranges available per combo. When finished press * five times to exit.	Price Program
To delete a previously set Combo		
1.	Press Service Mode Button	Motor Count or Error Code **
2.	Press 1 for Price Program	Price Program
3.	Press 6 for Combo menu	Combo
4.	Press 1 for Combo1 menu	Combo1: ### \$(Price) *-Exit, no change #-Edit 1-Next
5.	Press # to edit the Combo	Combo1: ### \$(Price) *-Exit/del #-OK
6.	Press * three times to delete the selection number	Combo1: ### \$(Price) *-Exit, no change #-Save
7.	Press # to save the setting	Combo1: -- \$0.00 *-del #-OK
8.	Press # five items to exit.	Price Program

2. CASHCOUNTERS

Cash Counters displays the total vend count and the total sales value for the machine, for All Items, by Row or by individual Selection. Note: The resettable counters can be cleared.

ALL ITEMS

STEP		DISPLAY
1.	Press Service Mode Button	Motor Count or Error Code **
2.	Press 2 for Cash Counters	Cash Counters
3.	Press 1 for All Items	All Items
4.	Press 1 for Historical Count	Hist Count --
5.	Press 2 for Historical Cash	Hist Cash \$--.--
6.	Press 3 for Reset Count	Res Count --
7.	Press 4 for Reset Cash	Res Cash \$--.--
8.	Press 5 for Historical Card	His Card \$--.--
9.	Press 6 for Reset Card	Res Card \$--.--
10.	Press 7 for Clear	Clear? *-Exit, no change #-Clear Display shows Cleared

ROW

STEP		DISPLAY
1.	Press Service Mode Button	Motor Count or Error Code **
2.	Press 2 for Cash Counters	Cash Counters
3.	Press 2 for Row	Row: -- Use keypad to choose Row.
4.	Press 1 for Historical Count	Hist Count --
5.	Press 2 for Historical Cash	Hist Cash \$--.--
6.	Press 3 for Reset Count	Res Count --
7.	Press 4 for Reset Cash	Res Cash \$--.--
8.	Press 5 for Historical Card	His Card \$--.--
9.	Press 6 for Reset Card	Res Card \$--.--
10.	Press 7 for Clear	Clear? *-Exit, no change # -Clear Display shows Cleared

SELECTION

STEP		DISPLAY
1.	Press Service Mode Button	Motor Count or Error Code **
2.	Press 2 for Cash Counters	Cash Counters
3.	Press 3 for Selection	Selection – Use keypad to choose an individual Selection
4.	Press 1 for Historical Count	Hist Count --
5.	Press 2 for Historical Cash	Hist Cash \$--.--
6.	Press 3 for Reset Count	Res Count --
7.	Press 4 for Reset Cash	Res Cash \$--.--
8.	Press 5 for Historical Card	His Card \$--.--
9.	Press 6 for Reset Card	Res Card \$--.--
10.	Press 7 for Clear	Clear? *-Exit, no change # -Clear Display shows Cleared

3. QTY/TUBE

Enter this menu when priming the changer with coins. As you load coins from the front door in the coin slot, this menu will keep track of the quantity and monetary amount which enables the VMC to know that change can be made during sales transactions.

STEP		DISPLAY
1.	Press Service Mode Button	Motor Count or Error Code **
2.	Press 3 for Qty/Tube	Qty/Tube : X/\$--.-- (Current Quantity and Total)
3.	Press * two times to exit to Sales Mode	0.00

4. CONFIGURATION

The following sub-menus are included in the Configuration Menu:

- Date/Time
- Health Safety
- Language
- All Items – Type
- Row – Type
- Selection – Type
- Auto Reinstate
- StS
- StS Custom
- Advanced Config*

DATE/TIME

STEP		DISPLAY
1.	Press Service Mode Button	Motor Count or Error Code **
2.	Press 4 for Configuration	Configuration
3.	Press 1 for Date/Time	Date/Time
4.	Press 1 to change Date	MM/DD/YY current setting *-Exit, no change #-Edit Use number keys to enter new date
5.	Press 2 to change Time	HH:MM current setting *-Exit, no change #-Edit Use number keys to enter new time
6.	Press 3 to change DST (Daylight Savings time)	DST ON/OFF *-Exit, no change 3 – Toggle On/Off. Press # to Save
7.	Press * two times to exit to Sales Mode	0.00

HEALTH SAFETY

STEP		DISPLAY
1.	Press Service Mode Button	Motor Count or Error Code **
2.	Press 4 for Configuration	Configuration
3.	Press 2 for Health Safety	Health Safety
4.	Press 1 to change Upper Zone	Upper Zone
5.	Press 1 to change All Items	All Items ON/OFF *-Exit, no change 1- Toggle On/Off # to Save
6.	Press 2 to change Row	Row – Use keypad to select row ON/OFF *-Exit, no change 2- Toggle On/Off # to Save
7.	Press 3 to change one Selection	Selection – Use keypad to select row ON/OFF *-Exit, no change 3- Toggle On/Off # to Save
8.	Press 2 to change Lower Zone	Lower Zone
9.	Press 1 to change All Items	All Items ON/OFF *-Exit, no change 1- Toggle On/Off # to Save
10.	Press 2 to change Row	Row – Use keypad to select row ON/OFF *-Exit, no change 1- Toggle On/Off # to Save
11.	Press 3 to change one Selection	Selection –

		Use keypad to select row ON/OFF *-Exit, no change 1- Toggle On/Off # to Save
12.	Press * two times to exit to Sales Mode	0.00

LANGUAGE

STEP		DISPLAY
1.	Press Service Mode Button	Motor Count or Error Code **
2.	Press 4 for Configuration	Configuration
3.	Press 3 for Language	Language English *-Exit, no change 3 – Edit 3 to Toggle between English, Spanish or French Press # to Save
12.	Press * two times to exit to Sales Mode	0.00

ALL ITEMS: TYPE

STEP		DISPLAY
1.	Press Service Mode Button	Motor Count or Error Code **
2.	Press 4 for Configuration	Configuration
3.	Press 4 for All Items: Type *NOTE: This should ALWAYS be set on Snack; setting to other Types will cause vend sensor failure.	All Items: Snack, Can or Bottle *-Exit, no change 1 – Edit 1 to Toggle Press # to Save
12.	Press * two times to exit	0.00

ROW: TYPE

STEP		DISPLAY
1.	Press Service Mode Button	Motor Count or Error Code **
2.	Press 4 for Configuration	Configuration
3.	Press 5 for Row: Type *NOTE: This should ALWAYS be set on Snack; setting to other Types will cause vend sensor failure.	Row – Use keypad to enter Row *-Exit, no change 1 – Edit 1 to Toggle Snack, Can or Bottle Press # to Save
12.	Press * two times to exit	0.00

SELECTION: TYPE

STEP		DISPLAY
1.	Press Service Mode Button	Motor Count or Error Code **
2.	Press 4 for Configuration	Configuration
3.	Press 6 for Selection: Type* *NOTE: This should ALWAYS be set on Snack; setting to other Types will cause vend sensor failure.	Selection – Use keypad to enter Selection *-Exit, no change 1 – Edit 1 to Toggle Snack, Can or Bottle Press # to Save
12.	Press * two times to exit	0.00

AUTOREINSTATE

This feature reinstates a selection after a vend failure, per the Vigilant vend sensor system. Normally, when an empty selection is detected during an attempted vend, that selection is recorded as inoperative and requires resetting before it can be vended again. Note: AutoReinstate affects both the host machine and all attached satellites.

STEP		DISPLAY
1.	Press Service Mode Button	Motor Count or Error Code **
2.	Press 4 for Configuration	Configuration
3.	Press 7 for AutoReinstate	Autoreinstate
5.	Press 1 to change All Items	All Items ON/OFF *-Exit, no change 1- Toggle On/Off # to Save
6.	Press 2 to change Row	Row – Use keypad to select row ON/OFF *-Exit, no change 2- Toggle On/Off # to Save
7.	Press 3 to change one Selection	Selection – Use keypad to select row ON/OFF *-Exit, no change 3- Toggle On/Off # to Save
12.	Press * two times to exit	0.00

SPACE TO SALES (StS)

Space to Sales (or StS) is a feature that rotates products so that First In First Out (FIFO) is assured and a popular item isn't sold out. This feature is only recommended for your beverage area, as the live display in the snack section would make product rotation confusing for your customer.

However, if you have a popular brand of water that keeps selling out before you can restock, it may be useful to set StS for two selections to work in tandem, make more sales by having fresh product readily available in a larger capacity. As an example, loading 16 oz. bottled water in selections 150 and 151.

STEP		DISPLAY
1.	Press Service Mode Button	Motor Count or Error Code **
2.	Press 4 for Configuration	Configuration
3.	Press 8 for Space to Sales	StS (Current setting) *-Exit, no change 8-Edit
4.	Press 8 to toggle through options	StS Off Whole Rows Half Rows By 2's Whole Machine Custom MZF/SZF Custom (See next menu item) With your choice flashing, press # to Save *-Exit, no change
5.	Press * two times to exit	0.00

By using Space to Sales to join selections 150 and 151 and loading 16 oz. water bottles in both columns, you have insured that this popular item is dispensing from both selections evenly, have allocated more capacity to a best seller to prevent sold out status and made your location more satisfied with your service.

CUSTOM SPACE TO SALES (StS)

Now that you have chosen a Space to Sales setting – Whole Row, Half Row, By 2’s, Whole Machine, you must tell the vending machine which selection is under Space to Sales and which selections are to work together. Back to our example of 16 oz. bottled water in 150 and 151, we have used the StS menu (4 > 8) to set By 2’s. In this menu, we would set Selection 150 to link up 150 and 151.

STEP		DISPLAY
1.	Press Service Mode Button	Motor Count or Error Code **
2.	Press 4 for Configuration	Configuration
3.	Press 8 for StS	StS --: (Current setting) *-Exit, no change 8-Edit
4.	Press 8 to toggle to your setting (in our example, By 2’s)	StS By 2’s *-Exit, no change # to Save
5.	Press * to return to Configuration menu	Configuration
6.	Press 9 to go to Custom Space to Sales	StS ---: *-Exit
7.	Enter Selection (in our example, 150)	StS XXX: *-Exit, no change # to Save 1 to Clear?
8.	Press 1 to clear links menu	XXX: Clear links? *-Exit, no change # to Clear?
9.	Press # to clear current links settings	XXX: Cleared *-Exit, no change # Add 1 – Clear
10.	Press # to add new selection	XXX:--- *-Exit, no change
11.	Enter next selection	XXX:YYY (in our example, 150) *-Exit, no change # Add
12.	Press # to add another selection (to enter more selections, repeat steps 10 and 11)	XXX:YYY, ZZZ (In our example, 151) The display shows the selections you have entered. After 3 selections, the screen will scroll all the links you have made.
13.	Press * two times to exit	0.00

ADVANCED*

A password is required to enter this menu. The factory default password is 2314. The following sub-menus are available under this sub-menu:

- Beep Enable
- Optics Disables
- Motor Type
- Temp
- Selection Style

BEEP ENABLE

STEP		DISPLAY
1.	Press Service Mode Button	Motor Count or Error Code **
2.	Press 4 for Configuration	Configuration
3.	Press 0 for Advanced Config	Password: Use keypad to enter password
4.	Press 1 for Beep Enable menu	Beep Enable (Current Setting) *-Exit, no change 1-Edit
5.	Press 1 to toggle ON/OFF	Beep Enable (Choice Flashing) *-Exit, no change # to Save
6.	Press # to save the setting	Beep Enable (New Setting) *-Exit, no change 1-Edit
7.	Press * three times to exit	0.00

OPTICS DISABLES

STEP		DISPLAY
1.	Press Service Mode Button	Motor Count or Error Code **
2.	Press 4 for Configuration	Configuration
3.	Press 0 for Advanced Config	Password: Use keypad to enter password
4.	Press 2 for Optics Disables menu	Optics Disables (Current Setting) *-Exit, no change 2-Edit
5.	Press 2 to toggle ON/OFF	Optics Disables (Choice Flashing) *-Exit, no change # to Save
6.	Press # to save the setting	Optics Disables (New Setting) *-Exit, no change 2-Edit
7.	Press * three times to exit	0.00

MOTOR TYPE

STEP		DISPLAY
1.	Press Service Mode Button	Motor Count or Error Code **
2.	Press 4 for Configuration	Configuration
3.	Press 0 for Advanced Config	Password: Use keypad to enter password
4.	Press 3 for Motor Type menu	Motor Type (Current Setting) *-Exit, no change 3-Edit
5.	Press 3 to toggle 3-Wire or 2-Wire	Motor Type (Choice Flashing) *-Exit, no change # to Save
6.	Press # to save the setting	Motor Type (New Setting) *-Exit, no change 3-Edit
7.	Press * three times to exit	0.00

TEMP

STEP		DISPLAY
1.	Press Service Mode Button	Motor Count or Error Code **
2.	Press 4 for Configuration	Configuration
3.	Press 0 for Advanced Config	Password: Use keypad to enter password
4.	Press 4 for Temp menu	Temp (Current Setting) *-Exit, no change 4-Edit
5.	Press 4 to toggle Snack, Cold, Cold Food, Slackened, Eng Test, Dual Zone, Dual Upper -6, Chilled, MZF, MZF -2, MZF -5, SZ Frozen, SZ Frozen -2, SZ Frozen -5, SZ Cold, SZ Cold -1	Temp (Choice Flashing) *-Exit, no change # to Save
6.	Press # to save the setting	Temp (New Setting) *-Exit, no change 4-Edit
7.	Press * three times to exit	0.00

SEL STYLE

STEP		DISPLAY
1.	Press Service Mode Button	Motor Count or Error Code **
2.	Press 4 for Configuration	Configuration
3.	Press 0 for Advanced Config	Password: Use keypad to enter password
4.	Press 5 for Sel Style	Sel Style (Current Setting) *-Exit, no change 5-Edit
5.	Press 5 to toggle 3 digit, 2 Dgt 40+, 2-Dgt ever, */# USD	Sel Style (Choice Flashing) *-Exit, no change # to Save
6.	Press # to save the setting	Sel Style (New Setting) *-Exit, no change 5-Edit
7.	Press * three times to exit	0.00

5. OPTIONS

The following sub-menus are included in the Options Menu:

- Forced Vend
- Bill Escrow
- Multi Vend
- Free Vend
- Fast Change
- Optical Vend
- POS Message
- Set Point
- Drop Sensor

FORCED VEND

Forces the customer to complete a purchase once they have made payment in any form. **NOTE:** If a customer chooses a Forced Vend selection and the motor fails, the customer will be allowed to escrow the credit.

STEP		DISPLAY
1.	Press Service Mode Button	Motor Count or Error Code **
2.	Press 5 for Options Menu	Options
3.	Press 1 for Forced Vend Menu	Forced Vend (Current Setting) *-Exit 1-Edit
4.	Press 1 to toggle between ON and OFF	Forced Vend (Choice Flashing) *-Exit #-Save
5.	Press # to save the setting	Forced Vend (New Setting) *-Exit 1-Edit
6.	Press * two times to exit	0.00

BILL ESCROW

Allows the last bill accepted to be returned, provided the bill acceptor is capable of such a feature.

STEP		DISPLAY
1.	Press Service Mode Button	Motor Count or Error Code **
2.	Press 5 for Options Menu	Options
3.	Press 2 for Bill Escrow Menu	Bill Escrow (Current Setting) *-Exit 2-Edit
4.	Press 2 to toggle between ON and OFF	Bill Escrow (Choice Flashing) *-Exit #-Save
5.	Press # to save the setting	Bill Escrow (New Setting) *-Exit 2-Edit
6.	Press * three times to exit	0.00

MULTI VEND

Allows the customer to purchase more than one product if enough credit has been deposited. When Multi Vend is active, any credit remaining after a vend is NOT automatically returned. The customer makes the choice to make another selection (with sufficient credit), make further payment to make another selection or press the coin return to return any remaining credit.

NOTE: After 5 minutes, any credit remaining will be erased by the machine. For card reader sessions, the Multi Vend feature will function only if the card reader supports multiple vend capability.

NOTE: If Fast Change is set to ON, it will over ride MultiVend and change will be made immediately after a selection.

STEP		DISPLAY
1.	Press Service Mode Button	Motor Count or Error Code **
2.	Press 5 for Options Menu	Options
3.	Press 3 for Multi Vend Menu	Multi Vend (Current Setting) *-Exit 3-Edit
4.	Press 3 to toggle between ON and OFF	Multi Vend (Choice Flashing) *-Exit #-Save
5.	Press # to save the setting	Multi Vend (New Setting) *-Exit 3-Edit
6.	Press * three times to exit	0.00

FREE VEND

Sets the WHOLE MACHINE to Free Vend. Every product is at no cost, no money is accepted by the machine and the display reads "FREE ON US".

STEP		DISPLAY
1.	Press Service Mode Button	Motor Count or Error Code **
2.	Press 5 for Options Menu	Options
3.	Press 4 for FreeVend Menu	Free Vend (Current Setting) *-Exit 4-Edit
4.	Press 4 to toggle between ON and OFF	Free Vend (Choice Flashing) *-Exit #-Save
5.	Press # to save the setting	Free Vend (New Setting) *-Exit 4-Edit
6.	Press * three times to exit	0.00

FAST CHANGE

Enables the vending machine to give change immediately after the customer makes a selection. If Fast Change is ON, it overrides the Multi Vend feature.

NOTE: If "Optical Vend" is ON, the vend price of the product displays until a product drops.

STEP		DISPLAY
1.	Press Service Mode Button	Motor Count or Error Code **
2.	Press 5 for Options Menu	Options

3.	Press 5 for Fast Change Menu	Fast Change (Current Setting) *-Exit 5-Edit
4.	Press 5 to toggle between ON and OFF	Fast Change (Choice Flashing) *-Exit #-Save
5.	Press # to save the setting	Fast Change (New Setting) *-Exit 5-Edit
6.	Press * three times to exit	0.00

OPTICAL VEND

This sub-menu provides the operator with options for designating product items or rows that are monitored for product delivery by an optical sensor. Default is ALL selections ON unless changed.

Selections that are designated as Optical have an associated vend operation that differs from the normal vend operation. For 5 milliseconds at the start of a vend, the Vigilant vend sensor is checked for blockage.

If blocked – the normal vend cycle is used and the optical sensors are ignored. Both the vend motor and a 10-second timeout timer are started.

- The motor rotates to the home-switch position.
- If there is a home-switch signal, the vend is considered successful.
- If there is no home-switch signal after 10 seconds, the vend motor is shut down and MAKE ANOTHER SELECTION is shown on the display.
- The customer can then make another selection or press coin return.

NOTE: Forced Vend is overridden if Optical Vend is set.

If not blocked, the Vigilant vend sensor system is used. Both the vend motor and a 10-second timeout timer are started.

- The selection motor rotates to the home-switch position.
- If a product is detected, the vend is considered successful.
- If, after reaching the home-switch position, a product has not been detected, the vend motor will pause for 1 second while the VMC continues to monitor the optical sensor for product delivery.
- If a product is detected during this pause, the vend is considered successful.
- If a product is not detected, the controller initiates a second vend cycle and a 9-second timer while continuing to monitor the optical sensor.
 - If a product is detected during this second cycle, the motor is stopped immediately. The vend is considered successful. The 2nd Vend Count is increased by one.
 - If a product is not detected before the motor reaches the home-switch position, or if a 9-second timer runs out, the vend has failed or the selection is sold out. Such a state will show MAKE ANOTHER SELECTION on the display and the amount of credit. The customer can make a selection or press coin return.

OPTICS ALL

STEP		DISPLAY
1.	Press Service Mode Button	Motor Count or Error Code **
2.	Press 5 for Options Menu	Options
3.	Press 6 for Optical Vend Menu	Optical Vend
4.	Press 3 for All Items Menu	All Items (Current Setting) *-Exit 3-Edit
5.	Press 3 to toggle between ON and OFF	All Items (Choice Flashing) *-Exit #-Save
6.	Press # to save the setting	All Items (New Setting) *-Exit 3-Edit
7.	Press * four times to exit	0.00

OPTICS BY ROW

STEP		DISPLAY
1.	Press Service Mode Button	Motor Count or Error Code **
2.	Press 5 for Options Menu	Options
3.	Press 6 for Optical Vend Menu	Optical Vend
4.	Press 2 for to enter a Row	Row: -- *-Exit
5.	Enter the Row	Row: X (Current Setting) *-Exit 1-Edit
6.	Press 1 to toggle between ON and OFF	Row: X (Choice Flashing) *-Exit #-Save
7.	Press # to save the setting	Row: X (New Setting) *-Exit 1-Edit
8.	Repeat Steps 4 through 7 until all desired rows are completed.	
7.	Press * to enter another Row or four times to exit	0.00

OPTICS BY SELECTION

STEP		DISPLAY
1.	Press Service Mode Button	Motor Count or Error Code **
2.	Press 5 for Options Menu	Options
3.	Press 6 for Optical Vend Menu	Optical Vend
4.	Press 1 for to enter the Selection	Item: -- *-Exit
5.	Enter the Item Number	Item: XXX (Current Setting) *-Exit 1-Edit
6.	Press 1 to toggle between ON and OFF	Item: XXX (Choice Flashing) *-Exit #-Save
7.	Press # to save the setting	Item: XXX (New Setting) *-Exit 1-Edit
8.	Repeat Steps 4 through 7 until all desired rows are completed.	
7.	Press * to enter another Selection or four times to exit	0.00

POINT OF SALE MESSAGE (POS)

Turns ON or OFF the default scrolling display message.

STEP		DISPLAY
1.	Press Service Mode Button	Motor Count or Error Code **
2.	Press 5 for Options Menu	Options
3.	Press 7 for POS Menu	POS Message (Current Setting) *-Exit 7-Edit
4.	Press 7 to toggle between ON and OFF	POS Message (Choice Flashing) *-Exit #-Save
5.	Press # to save the setting	POS Message (New Setting) *-Exit 7-Edit
6.	Press * three times to exit	0.00

SET POINT

Displays the factory default Set Point temperature for each machine type. See Temp section for the specific machine refrigeration modes. Ambient snack machines without a refrigeration system will display 36F. These temperatures may be adjusted, **however it is not advised without direction by Seaga Customer Care or an authorized technician.** The optimal temperatures have been set according to NAMA specifications for optimal product safety. Before making any adjustment see Temp and Helath Safety section.

STEP		DISPLAY
1.	Press Service Mode Button	Motor Count or Error Code **
2.	Press 5 for Options Menu	Options
3.	Press 8 for Set Point	Setpoint (Current Setting)F *-Exit 8-Edit
4.	Press 8 to edit the temperature Set Point	Setpoint (Choice Flashing)F *-Exit #-Save
5.	Continue pressing 8 until the desired temperature is shown on the display	Setpoint (New Temp)F *-Exit 8-Edit
6.	Press # to save the setting	Setpoint (New Setting)F *-Exit 8-Edit
6.	Press * three times to exit	0.00

DROP SENSOR

Allows you to adjust the Drop Sensor Sensitivity; 1 is most sensitive and 9 is least sensitive. The default setting is 3 and should not need to be changed.

STEP		DISPLAY
1.	Press Service Mode Button	Motor Count or Error Code **
2.	Press 5 for Options Menu	Options
3.	Press 9 for Drop Sensor	Drop Sensor (Current Setting) *-Exit 9-Edit
4.	Press 9 to edit the Drop Sensor sensitivity level	Drop Sensor (Choice Flashing) *-Exit #-Save
5.	Continue pressing 9 until the desired setting is shown on the display	Drop Sensor (New Temp) *-Exit 9-Edit
6.	Press # to save the setting	Drop Sensor (New Setting) *-Exit 9-Edit
6.	Press * three times to exit	0.00

6. **ADVANCED***

This menu requires a password. The following sub-menus are included in the Advanced Features menu:

- Discount
- Exact Change
- Unconditional Acceptance
- Max Change
- Shutdown
- Energy Savings
- Pair
- Degrees

DISCOUNT

This menu uses various sub-menu settings to allow a different price for selections at different times or on different days.

STEP		DISPLAY
1.	Press Service Mode Button	Motor Count or Error Code **
2.	Press 6 for Password (Advanced Features) Menu	Password
3.	Enter Password (default 2314)	Advanced Features
4.	Press 1 for Discount	Discount
5.	Press 1 for All Items	All Items (Current Setting) *-Exit 1-Edit
6.	Press 1 to toggle All Items ON/OFF	All Items (Choice Flashing) *-Exit #-Save
7.	Press # to save the setting	All Items (New Setting) *-Exit 1-Edit
8.	Press * to return to Discount menu	Discount
9.	Press 4 for Day menu	Day
10.	Press 1 for All Days	All Days (Current Setting) *-Exit 1-Edit
11.	Press 1 to toggle All Days ON/OFF	All Days (New Setting) *-Exit #-Save
12.	Press # to save the setting	All Days (New Setting) *-Exit 1-Edit
13.	Press 2 to toggle Monday ON/OFF	Mon (Choice Flashing) *-Exit 2-Edit
14.	Press # to save the setting	Mon (New Setting) *-Exit 2-Edit
Use numbers 3-8 to complete the other days of the week using steps 13 and 14.		
15.	Press * two times to return to Discount menu	Discount
16.	Press 5 two times for Start Time menu	(Current Time) *-Exit 5-Edit
17.	Press 5, then enter Start Time in 24-hr time (HH:MM)	New Time *-Exit #-Save
18.	Press # to save the time	New Time *-Exit 5-Edit
19.	Press * two times to return to Discount menu	Discount
20.	Press 6 two times for Stop Time menu	Stop Time
21.	Press 6, then enter Start Time in 24-hr time (HH:MM)	New Time *-Exit #-Save
22.	Press # to save the time	New Time *-Exit 6-Edit

23.	Press * two times to return to Discount menu	Discount
24.	Press 7 for Discount Value menu	Discount (Current Value) *-Exit 7-Edit
25.	Press 7, then enter new Discount Value (Enter the new price at which to sell the item)	Discount (New Value) *-Exit #-Save
26.	Press # to save the discount value	Discount (New Setting) *-Exit #-Save
27.	Press * two times to return to Discount menu	Discount
28.	Press 9 for Enable Discount menu	Enable (Choice Flashing) *-Exit 9-Edit
29.	Press 9 to toggle Enable ON/OFF	Enable (Choice Flashing) *-Exit #-Save
30.	Press # to save the setting	Enable (New Setting) *-Exit 9-Edit
31.	Press * five times to exit to Sales Mode	0.00

DISCOUNT BY ROW

Note: Make sure All Items setting in the Discount Advanced Features menu is set to OFF.

	STEP	DISPLAY
1.	Press Service Mode Button	Motor Count or Error Code **
2.	Press 6 for Password (Advanced Features) Menu	Password
3.	Enter Password (default 2314)	Advanced Features
4.	Press 1 for Discount	Discount
5.	Press 2 for Row menu	Row: -- *-Exit
6.	Enter Row number	Row XX: (Current Setting) *-Exit 2-Edit
7.	Press 1 to toggle Row ON/OFF	Row XX: (Choice Flashing) *-Exit #-Save
8.	Press # to save the setting	Row XX: (New Setting) *-Exit 2-Edit
9.	Press * once to enter another row or two times to return to Discount menu	Discount
10.	Press 4 for Day menu	Day
11.	Press 1 for All Days	All Days (Current Setting) *-Exit 1-Edit
12.	Press 1 to toggle All Days ON/OFF	All Days (New Setting) *-Exit #-Save
13.	Press # to save the setting	All Days (New Setting) *-Exit 1-Edit
14.	Press 2 to toggle Monday ON/OFF	Mon (Choice Flashing) *-Exit 2-Edit
15.	Press # to save the setting	Mon (New Setting) *-Exit 2-Edit
Use numbers 3-8 to complete the other days of the week using steps 14 and 15.		
16.	Press * two times to return to Discount menu	Discount
17.	Press 5 two times for Start Time menu	(Current Time) *-Exit 5-Edit
18.	Press 5, then enter Start Time in 24-hr time (HH:MM)	New Time *-Exit #-Save

19.	Press # to save the time	New Time *-Exit 5-Edit
20.	Press * two times to return to Discount menu	Discount
21.	Press 6 two times for Stop Time menu	Stop Time
22.	Press 6, then enter Start Time in 24-hr time (HH:MM)	New Time *-Exit #-Save
23.	Press # to save the time	New Time *-Exit 6-Edit
24.	Press * two times to return to Discount menu	Discount
25.	Press 7 for Discount Value menu	Discount (Current Value) *-Exit 7-Edit
26.	Press 7, then enter new Discount Value (Enter the new price at which to sell the item)	Discount (New Value) *-Exit #-Save
27.	Press # to save the discount value	Discount (New Setting) *-Exit #-Save
28.	Press * two times to return to Discount menu	Discount
29.	Press 9 for Enable Discount menu	Enable (Choice Flashing) *-Exit 9-Edit
30.	Press 9 to toggle Enable ON/OFF	Enable (Choice Flashing) *-Exit #-Save
31.	Press # to save the setting	Enable (New Setting) *-Exit 9-Edit
32.	Press * five times to exit to Sales Mode	0.00

DISCOUNT BY SELECTION

Note: Make sure All Items setting in the Discount Advanced Features menu is set to OFF.

STEP		DISPLAY
1.	Press Service Mode Button	Motor Count or Error Code **
2.	Press 6 for Password (Advanced Features) Menu	Password
3.	Enter Password (default 2314)	Advanced Features
4.	Press 1 for Discount	Discount
5.	Press 3 for Selection menu	Selection: -- *-Exit
6.	Enter Selection number	Selection XX: (Current Setting) *-Exit 3-Edit
7.	Press 1 to toggle Selection ON/OFF	Selection XX: (Choice Flashing) *-Exit #-Save
8.	Press # to save the setting	Selection XX: (New Setting) *-Exit 3-Edit
9.	Press * once to enter another row or two times to return to Discount menu	Discount
10.	Press 4 for Day menu	Day
11.	Press 1 for All Days	All Days (Current Setting) *-Exit 1-Edit
12.	Press 1 to toggle All Days ON/OFF	All Days (New Setting) *-Exit #-Save
13.	Press # to save the setting	All Days (New Setting) *-Exit 1-Edit
14.	Press 2 to toggle Monday ON/OFF	Mon (Choice Flashing) *-Exit 2-Edit
15.	Press # to save the setting	Mon (New Setting) *-Exit 2-Edit

Use numbers 3-8 to complete the other days of the week using steps 14 and 15.		
16.	Press * two times to return to Discount menu	Discount
17.	Press 5 two times for Start Time menu	(Current Time) *-Exit 5-Edit
18.	Press 5, then enter Start Time in 24-hr time (HH:MM)	New Time *-Exit #-Save
19.	Press # to save the time	New Time *-Exit 5-Edit
20.	Press * two times to return to Discount menu	Discount
21.	Press 6 two times for Stop Time menu	Stop Time
22.	Press 6, then enter Start Time in 24-hr time (HH:MM)	New Time *-Exit #-Save
23.	Press # to save the time	New Time *-Exit 6-Edit
24.	Press * two times to return to Discount menu	Discount
25.	Press 7 for Discount Value menu	Discount (Current Value) *-Exit 7-Edit
26.	Press 7, then enter new Discount Value (Enter the new price at which to sell the item)	Discount (New Value) *-Exit #-Save
27.	Press # to save the discount value	Discount (New Setting) *-Exit #-Save
28.	Press * two times to return to Discount menu	Discount
29.	Press 9 for Enable Discount menu	Enable (Choice Flashing) *-Exit 9-Edit
30.	Press 9 to toggle Enable ON/OFF	Enable (Choice Flashing) *-Exit #-Save
31.	Press # to save the setting	Enable (New Setting) *-Exit 9-Edit
32.	Press * five times to exit to Sales Mode	0.00

EXACT CHANGE

Sets the coin tube value that will trigger the display to show Please Use Exact Change message. For example, if Exact Change is set to \$5.00, the message will display when the total of coins in the tube, as counted by the VMC, is at or below \$5.00 total.

STEP		DISPLAY
1.	Press Service Mode Button	Motor Count or Error Code **
2.	Press 6 for Password (Advanced Features) Menu	Password
3.	Enter Password (default 2314)	Advanced Features
4.	Press 2 for Exact Change	Exact Change \$--.00 *-Exit 1-Edit
5.	Press 1 to edit Exact Change	Exact Change (Flashing) *-Exit 1-Edit
6.	Use number keys to enter an amount	Exact Change (New Setting) *-Exit 1-Edit
7.	Press # to save the setting	Exact Change (New Setting) *-Exit #-Save
8.	Press * two times to exit	0.00

ALTERNATE RULE – This function prevents a vend from occurring, flashes the Please Use Exact Change message and will return the established credit amount if one or more of the coin tubes are too low to give back the correct change for the vend. Note: This setting must be OFF if using a bill validator only. If using a bill validator only, prices must be divisible by the denominations accepted by the bill validator.

STEP		DISPLAY
1.	Press Service Mode Button	Motor Count or Error Code **
2.	Press 6 for Password (Advanced Features) Menu	Password
3.	Enter Password (default 2314)	Advanced Features
4.	Press 2 for Exact Change	Exact Change \$--.00 *-Exit 1-Edit

5.	Press 2 to set Alt Rules	Alt Rules (Current Setting) *-Exit 2-Edit
6.	Press 2 to toggle ON/OFF (default ON)	Alt Rules (Choice Flashing) *-Exit #-Save
7.	Press # to save the setting	Alt Rules (New Setting) *-Exit 3-Edit
8.	Press * two times to exit	0.00

UNCONDITIONAL ACCEPTANCE

Sets the unconditional acceptance value. All cash box coins or bills equal to or less than this set value will be accepted, even if the changer cannot return an equal amount of change. When set to 0 (zero), all changer tube coins are accepted. Bills are accepted once there is enough change in the changer to pay back the bill type. Note: the Unconditional Acceptance set value is adjustable but the maximum value is equal to the largest denomination of currency or coin accepted by the changer or validator.

STEP		DISPLAY
1.	Press Service Mode Button	Motor Count or Error Code **
2.	Press 6 for Password (Advanced Features) Menu	Password
3.	Enter Password (default 2314)	Advanced Features
4.	Press 3 for Unconditional Acceptance menu	Uncond Accept: (Current Setting) *-Exit #-Edit
5.	Press 3 then enter value	Uncond Accept: (New Setting) *-Exit #-Save
6.	Press # to save the setting	Uncond Accept: (New Setting) *-Exit #-Save
7.	Press * two times to exit	0.00

MAX CHANGE

This option prevents change from being returned to the customer until the amount of credit has been reduced to a value less than or equal to the programmed maximum change limit.

STEP		DISPLAY
1.	Press Service Mode Button	Motor Count or Error Code **
2.	Press 6 for Password (Advanced Features) Menu	Password
3.	Enter Password (default 2314)	Advanced Features
4.	Press 4 for Max Change menu	Max Change
5.	Press 1 for current Max Change setting	Max Change (Current Setting) *-Exit 1-Edit
6.	Press 1 to toggle ON/OFF	Max Change (Choice Flashing) *-Exit #-Save
7.	Press # to save the setting	Max Change (New Setting) *-Exit 1-Edit
8.	Press 2 and enter dollar amount	Max Change: \$--.— *-Exit #-Save
9.	Press # to save the setting	Max Change (New Setting) *-Exit 2-Edit
7.	Press * three times to exit	0.00

SHUTDOWN

This menu sets the VMC to shut down All Items, by Row or by Selection, based on four (4) time of day intervals. If the time falls within one of these intervals and the entire machine has been selected for shutdown, then the message, "Vending Operation to Resume at hh.mm," will be displayed.

If a row or individual selection has been set for Shutdown, the same message displays once every time the customer makes that selection or selections (row).

NOTE: The correct time and date must be set so that the shutdown intervals work correctly. See Time and Date section of this manual. Also, for any given day these four time intervals may overlap each other. For each interval, the VMC can be programmed from no days up to every day of the week on which the specified shutdown time intervals are active.

STEP		DISPLAY
1.	Press Service Mode Button	Motor Count or Error Code **
2.	Press 6 for Password (Advanced Features) Menu	Password
3.	Enter Password (default 2314)	Advanced Features
4.	Press 5 for Shutdown	Shutdown
5.	Press 1 for Interval1 (2 for Interval2, and so on)	Interval1
6.	Press 1 to for All Items	All Items (Current Setting) *-Exit 1-Edit
7.	Press 1 to toggle ON/OFF	All Items (Choice Flashing) *-Exit #-Save
8.	Press # to save the setting	All Items (New Setting) *-Exit 1-Edit
9.	Press * to return to Interval1	Interval1
10.	Press 4 for Day menu	Day
11.	Press 1 for All Days	All Days (Current Setting) *-Exit 1-Edit
12.	Press 1 to toggle All Days ON/OFF	All Days (New Setting) *-Exit #-Save
13.	Press # to save the setting	All Days (New Setting) *-Exit 1-Edit
14.	Press 2 to toggle Monday ON/OFF	Mon (Choice Flashing) *-Exit 2-Edit
15.	Press # to save the setting	Mon (New Setting) *-Exit 2-Edit
Use numbers 3-8 to complete the other days of the week using steps 13 and 14.		
16.	Press * two times to return to Interval1 menu	Interval1
17.	Press 5 two times for Start Time menu	(Current Time) *-Exit 5-Edit
18.	Enter Start Time in 24-hr time (HH:MM)	New Time *-Exit #-Save
19.	Press # to save the time	New Time *-Exit 5-Edit
20.	Press * once to return to Interval1 menu	Shutdown
21.	Press 6 two times for Stop Time menu	Stop Time
22.	Press 6, then enter Stop Time in 24-hr time (HH:MM)	New Time *-Exit #-Save
23.	Press # to save the time	New Time *-Exit 6-Edit
24.	Press * two times to return to Shutdown	Shutdown
25.	Press 2, 3 or 4 to edit Intervals 2, 3 or 4	IntervalX
26.	Press 9 for enable menu	Enable (Current Setting) *-Exit 9-Edit
27.	Press # to save the setting	Lighting (New Setting) *-Exit 8-Edit
28.	Press * five times to exit to Sales Mode	0.00

SHUTDOWN BY ROW

STEP		DISPLAY
1.	Press Service Mode Button	Motor Count or Error Code **
2.	Press 6 for Password (Advanced Features) Menu	Password
3.	Enter Password (default 2314)	Advanced Features
4.	Press 5 for Shutdown	Shutdown
5.	Press 1 for Interval1 (2 for Interval2, and so on)	Interval1

6.	Press 2 for Row menu	Row: -- *-Exit
7.	Enter Row number (First 2 character of any selections in the row)	Row XX: (Current Setting) *-Exit 2-Edit
8.	Press 1 to toggle Row ON/OFF	Row XX: (Choice Flashing) *-Exit #-Save
9.	Press # to save the setting	Row XX: (New Setting) *-Exit 2-Edit
10.	Press * once to enter another row or two times to return to Shutdown menu	Shutdown
11.	Press 4 for Day menu	Day
12.	Press 1 for All Days	All Days (Current Setting) *-Exit 1-Edit
13.	Press 1 to toggle All Days ON/OFF	All Days (New Setting) *-Exit #-Save
14.	Press # to save the setting	All Days (New Setting) *-Exit 1-Edit
15.	Press 2 to toggle Monday ON/OFF	Mon (Choice Flashing) *-Exit 2-Edit
16.	Press # to save the setting	Mon (New Setting) *-Exit 2-Edit
Use numbers 3-8 to complete the other days of the week using steps 15 and 16.		
16.	Press * two times to return to Shutdown menu	Shutdown
17.	Press 5 two times for Start Time menu	(Current Time) *-Exit 5-Edit
18.	Press 5, then enter Start Time in 24-hr time (HH:MM)	New Time *-Exit #-Save
19.	Press # to save the time	New Time *-Exit 5-Edit
20.	Press * two times to return to Shutdown menu	Shutdown
21.	Press 6 two times for Stop Time menu	Stop Time
22.	Press 6, then enter Start Time in 24-hr time (HH:MM)	New Time *-Exit #-Save
23.	Press # to save the time	New Time *-Exit 6-Edit
24.	Press * Back to interval	
25.	Press 9 to Enable menu (must be on)	Enable (current setting) *-Exit 9-Edit
26.	Press # to save the setting	
27.	Press * five times to exit to Sales Mode	

SHUTDOWN BY SELECTION

STEP		DISPLAY
1.	Press Service Mode Button	Motor Count or Error Code **
2.	Press 6 for Password (Advanced Features) Menu	Password
3.	Enter Password (default 2314)	Advanced Features
4.	Press 5 for Shutdown	Shutdown
5.	Press 1 for Interval1 (2 for Interval2, and so on)	Interval1
6.	Press 3 for Selection menu	Selection: -- *-Exit
7.	Enter Selection number	Selection XX: (Current Setting) *-Exit 3-Edit
8.	Press 1 to toggle Selection ON/OFF	Selection XX: (Choice Flashing) *-Exit #-Save

9.	Press # to save the setting	Selection XX: (New Setting) *-Exit 3-Edit
10.	Press * once to enter another row or two times to return to Discount menu	Discount
11.	Press 4 for Day menu	Day
12.	Press 1 for All Days	All Days (Current Setting) *-Exit 1-Edit
13.	Press 1 to toggle All Days ON/OFF	All Days (New Setting) *-Exit #-Save
14.	Press # to save the setting	All Days (New Setting) *-Exit 1-Edit
15.	Press 2 to toggle Monday ON/OFF	Mon (Choice Flashing) *-Exit 2-Edit
15.	Press # to save the setting	Mon (New Setting) *-Exit 2-Edit
Use numbers 3-8 to complete the other days of the week using steps 15 and 16.		
16.	Press * two times to return to Shutdown menu	Shutdown
17.	Press 5 two times for Start Time menu	(Current Time) *-Exit 5-Edit
18.	Press 5, then enter Start Time in 24-hr time (HH:MM)	New Time *-Exit #-Save
19.	Press # to save the time	New Time *-Exit 5-Edit
20.	Press * two times to return to Shutdown menu	Shutdown
21.	Press 6 two times for Stop Time menu	Stop Time
22.	Press 6, then enter Start Time in 24-hr time (HH:MM)	New Time *-Exit #-Save
23.	Press # to save the time	New Time *-Exit 6-Edit
24.	Press * two times to return to Shutdown menu	Shutdown
25.	Press 2, 3 or 4 to edit Intervals 2, 3 or 4	IntervalX
26.	Press 9 for Enable menu (Enable must be on to start shutdown)	Enable (Current Setting) *-Exit 9-Edit
27.	Press # to save the setting	Lighting (New Setting) *-Exit 8-Edit
28.	Press * five times to exit to Sales Mode	0.00

ENERGY SAVINGS

Use this menu to set a **non-health safety machine** to run at a higher than normal temperature during set times. This will save energy during off peak hours of sales. Two intervals are available.

STEP		DISPLAY
1.	Press Service Mode Button	Motor Count or Error Code **
2.	Press 6 for Password (Advanced Features) Menu	Password
3.	Enter Password (default 2314)	Advanced Features
4.	Press 6 for Energy Savings	Energy Savings
5.	Press 1 for Interval1 (2 for Interval2, and so on)	Interval1
6.	Press 4 for Day menu	Day
7.	Press 1 for All Days	All Days (Current Setting) *-Exit 1-Edit
8.	Press 1 to toggle All Days ON/OFF	All Days (New Setting) *-Exit #-Save
9.	Press # to save the setting	All Days (New Setting) *-Exit 1-Edit

10.	Press 2 to toggle Monday ON/OFF	Mon (Choice Flashing) *-Exit 2-Edit
11.	Press # to save the setting	Mon (New Setting) *-Exit 2-Edit
Use numbers 3-8 to complete the other days of the week using steps 10 and 11.		
12.	Press * two times to return to Interval1 menu	Interval1
13.	Press 5 two times for Start Time menu	(Current Time) *-Exit 5-Edit
14.	Press 5, then enter Start Time in 24-hr time (HH:MM)	New Time *-Exit #-Save
15.	Press # to save the time	New Time *-Exit 5-Edit
16.	Press * two times to return to Energy Savings menu	Energy Savings
17.	Press 6 two times for Stop Time menu	Stop Time
18.	Press 6, then enter Stop Time in 24-hr time (HH:MM)	New Time *-Exit #-Save
19.	Press # to save the time	New Time *-Exit 6-Edit
20.	Press * to return to Interval1 menu	Interval1
21.	Press 7 to enter Storage Temp (default is 62° F)	Storage (Current Temp) F *-Exit 7-Edit
22.	Press 7 to set Storage Temp (36° F to 62° F)	Storage (Choice Flashing) F *-Exit #-Save
23.	Press # to save the setting	Storage (New Temp) F *-Exit 7-Edit
24.	Press * once to return to Interval1 Menu	Interval1
25.	Press 8 for Lighting menu	Lighting (Current Setting) *-Exit 8-Edit
26.	Press 8 to toggle Lighting ON/OFF <i>Lighting ON turns off lights during Energy Saving interval</i> <i>Lighting OFF leaves lights on during Energy Saving interval</i>	Lighting (Choice Flashing) *-Exit 8-Edit
27.	Press # to save the setting	Lighting (New Setting) *-Exit 8-Edit
28.	Press * five times to exit to Sales Mode	0.00

PAIR

This function allows two adjacent motors to run at the same time so that large, wide items can be accommodated. A coil and rail change is also required. See Combining Selections section of this manual for more information.

STEP		DISPLAY
1.	Press Service Mode Button	Motor Count or Error Code **
2.	Press 6 for Password (Advanced Features) Menu	Password
3.	Enter Password (default 2314)	Advanced Features
4.	Press 7 for Pair menu	Pair - - - *-Exit
5.	Enter the first motor number	Pair 013 to --- *-Exit #-Add
6.	Press # and enter the 2 nd motor number	Pair 013 to 015 *-Exit #-Save
7.	Press * two times to add another pair of motors or	Pair - - - *-Exit #-Save
8.	Press * five times to exit to Sales Mode	0.00

DEGREES

This function allows you to change from Fahrenheit to Celsius.

STEP		DISPLAY
1.	Press Service Mode Button	Motor Count or Error Code **

2.	Press 6 for Password (Advanced Features) Menu	Password
3.	Enter Password (default 2314)	Advanced Features
4.	Press 8 for Degrees menu	Degrees - - - *-Exit 8-Edit
5.	Press 8 to Edit	Toggle between F and C
6.	Press # to save or * to Exit	Degrees - - - *-Exit #-Save
7.	Press * five times to exit to Sales Mode	0.00

7. **MOTORS**

This function displays the motor count. It is a useful, quick diagnostic tool in case of selection failure and can point out a motor issue if the count is not correct.

STEP		DISPLAY
1.	Press Service Mode Button	Motor Count or Error Code **
2.	Press 7 for Motor count display menu	Motors (Count Flashes)
3.	Press * to exit to Sales Mode	0.00

8. **SELECTION**

This function tests the motor on one specified selection.

STEP		DISPLAY
1.	Press Service Mode Button	Motor Count or Error Code **
2.	Press 8 for Selection motor test menu	Selection: --
3.	Enter selection to test and wait	Selection: (Current Selection) *-Delete
4.	Repeat for any other selections or	Selection: (New Selection) *-Delete
8.	Press * to exit to Sales Mode	0.00

9. **SELECTION:ALL**

This function tests all motors in sequence automatically. To stop the test, press * to exit. NOTE: All selections should be empty prior to performing this test.

STEP		DISPLAY
1.	Press Service Mode Button	Motor Count or Error Code **
2.	Press 9 for Selection motor test menu	Selection: (First Selection) *-Stop
3.	Press * to exit to Sales Mode	0.00

10. **TESTMODES**

This menu contains diagnostic tests and settings for the following systems:

- Relays
- Vigilant Vend Sensor
- Drop Bias Setting*
- System Logs*
- On Door
- Manual Defrost

STEP		DISPLAY
1.	Press Service Mode Button	Motor Count or Error Code **
2.	Press 0 for Test Modes	Test Modes
3.	Press 1 to test relays; then press 1-6 to test each relay. Press 2 for vend sensor alignment test. Press 3 then password 2314 for log. NOTE: Do not use unless requested by trained personnel.	Test Modes 1 through 5

	Press 4 and toggle ON/OFF to show errors when door opens. Press 5 for Manual Defrost, which will enable you to set a manual defrost period for the machine. NOTE: Do not use unless requested by trained personnel.	
4.	Press * to exit to Sales Mode	0.00

ERROR CODE MESSAGES

VMC Errors		
Error Message	Description	Possible Solutions
VMC Settings Reset	VMC has been reset to factory default.	If a software upgrade has just been performed, the VMC has been reset to default settings. Change your prices and other settings as required. Cycle power and verify your changes and any error messages.
VMC Door Switch	Door switch is seen as open for greater than the allowed time.	Check the door switch for correct operation. Check door wire harness.
VMC Scale Factor	There is a conflict with one or more MDB setting from the installed MDB devices.	Review manuals and settings for installed MDB devices to make sure they are compatible.
VMC Selection SW	A keypad selection button is stuck in the depressed position.	Determine reason why keypad button is stuck and repair.
VMC Low AC	The incoming AC power is lower than required to properly run your vending machine.	Determine why voltage is low. Remove any voltage reducing devices not authorized by the vending machine manufacturer.
VMC RAM Checksum	A RAM checksum error indicates that accounting data or a VMC setting was in error. The VMC will use a backup copy of the data where possible.	Check the VMC settings and accountability data for correctness. Cycle power to the vending machine and recheck error messages.

Motor Errors		
Error Message	Description	Possible Solutions
Motor [Number] Open	The motor indicated or harness to that motor has an open electrical connection.	Check the motor and motor harness for open connections. Test vend motor. Replace if necessary.
Motor [Number] Short	The motor or harness has an electrical short.	Check motor and motor harness for short. Replace if necessary.
Motor [Number] Home Sns	The motor home switch was not detected while the motor was in operation. This may also indicate a motor jam condition.	Check motor type service mode setting, motor, motor switch and then spiral for blockage. Test vend selection motor if necessary.
Motor [Number] Jam	A motor jam has been detected.	Check motor and spiral for blockage.
Motor [Number] Errors	One or more motor errors have been detected.	Test vend selection motor and review information on motor open, short, home switch and jam conditions.

Motor Under Voltage	The detected motor voltage is not high enough to run the selection motors.	Test vend selection motor for correct operation. Replace motor. Replace VMC.
---------------------	--	--

Temperature Sensor Errors (Refrigerated Models Only)		
Error Message	Description	Possible Solutions
Refrig Sensor # Open	A temperature sensor or harness is considered to have an open electrical connection. Where # is the sensor number.	Check sensor and sensor harness for open connections. Check for sensor readings. Replace sensor if necessary.
Refrig Sensor # Short	A temperature sensor or harness is considered to have an electrical short. Where # is the sensor number.	Check sensor and sensor harness for shorted connections. Replace if necessary.
Refrig Health Safety	The cabinet temperature and time limit settings have been exceeded.	Check sensor readings and sensor harness for shorted connections. Check for sensor readings. Replace sensor if necessary.

Vend Sensor Errors		
Error Message	Description	Possible Solutions
Optical Sensor Error	The vend sensor is blocked, out of alignment or not detected.	Check sensor and sensor harness for open connections. Check for sensor readings. Replace sensor if necessary.

Coin Changer Errors		
Error Message	Description	Possible Solutions
Coin Mech Comm	VMC does not have communication with the coin changer.	Check MDB Harness to changer. Check for power on changer. See changer service manual.
Coin Mech Tube Sns	The coin changer has reported a tube sensor error.	See changer service manual.
Coin Mech Inlet	The coin changer has reported an acceptor blockage.	Check changer tubes. See changer service manual.
Coin Mech Tube Jam	The coin changer has reported a tube payout error.	Check changer tubes. See changer service manual.
Coin Mech ROM	The coin changer has reported a program memory error.	See changer service manual.
Coin Mech Excess Esc	The coin changer has reported that a large number of coin escrow requests have occurred.	Check changer escrow lever position.
Coin Mech Coin Jam	The coin changer has reported that a coin is jammed in the coin path.	Check changer coin path. See changer service manual.
Coin Mech Low Accept	The VMC has seen a low acceptance rate on coins.	Review inserted coins. See changer service manual.
Coin Mech Acpt Disc	The coin changer has reported that the coin validation acceptor is disconnected.	Re-connect the coin changer's acceptor. See changer service manual.
Coin Mech Route Err	The coin changer reported that a coin did not follow the correct path.	Check changer coin path. See changer service manual.

Bill Validator Errors		
Error Message	Description	Possible Solutions
Bill Val Comm	VMC does not have communication with the bill validator.	Check MDB Harness to validator. Check for power on validator.
Bill Val Stack Full	The bill validator has reported that the stacker is full of bills.	Check bill stacker box for bills. See validator service manual.

Bill Val Motor Err	The bill validator reports that a validator motor error has occurred.	See validator service manual.
Bill Val Jam	The bill validator reports a bill is stuck in the bill path.	Check validator bill path for bills. See validator service manual.
Bill Val Stack Open	The bill validator is reporting a bill box is open or not installed.	Check bill stacker box for open lid. See validator service manual.
Bill Val Sensor Err	The bill validator reports a sensor error.	See validator service manual.

Card Reader 1 and 2 Errors		
Error Message	Description	Possible Solutions
Card RDR1 or 2 Comm	VMC does not have communication with the card reader.	Check MDB Harness to card reader. Check for power on card reader.
Card RDR1 or 2 Err	The card reader reports an error	See card reader service manual.

NOTE: Errors are cleared after the problem detected has been resolved.

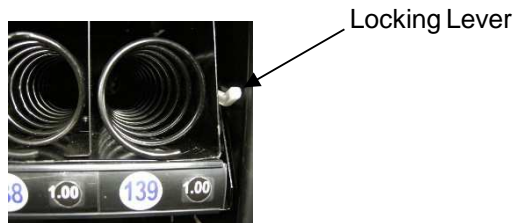
DELIVERY SYSTEM

Your vendor consists of the Keypad, 2 Line VF Display, Driver Motors, Product Trays, Helix Coils and Delivery Bin. The customer inserts money and enters their selection on the Keypad. The selection's Driver Motor turns the Helix Coil that vends the product into the Delivery Bin.

PRODUCT TRAYS

Your vendor features lock and release product trays. On the right side of each product tray you will find a Locking Lever (Fig. 14). To pull out the Product Tray, push down on the Locking Lever and roll toward you to load position.

Fig. 14



PRICE SCROLLS AND SELECTION LABELS

Price scrolls are fitted to each tray position. To adjust the pricing display, use your thumb or finger to rotate the scroll to show the desired price (Fig. 15). Note: this does not change the price of the item but only the display. The actual price must be changed via the service mode menus detailed in this manual. Note that there is a blank, white square at the end of the scroll case you need to write in a price not printed on the scroll.

Fig. 15 – Adjustment of Price Display

↑ Rotate UP to increase



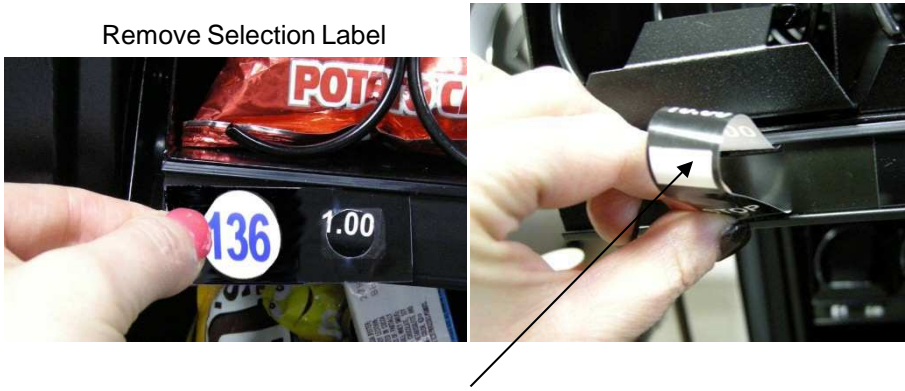
↓ Rotate DOWN to decrease

Note that the word "STOP" showing in the price display is an indication that you should stop rotating the scroll as the end has been reached. Should the scroll end become disengaged from the tray, simply remove the Selection Label and reinsert the scroll end. Rotate the scroll to the proper position and replace the Selection Label.

Fig. 16 – Replace Price Scroll

Reinsert price scroll

Remove Selection Label



Blank white squares are available on the price scrolls just before the STOP indicator for custom pricing.

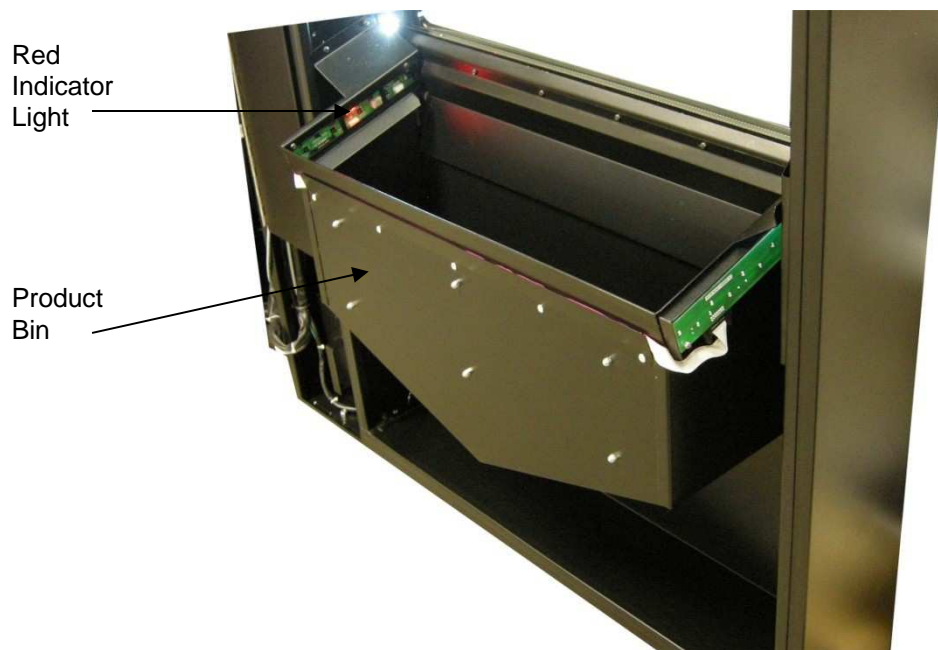
VIGILANT VEND SENSOR SYSTEM

The Vigilant system is a series of infrared sensors that send a beam of light across the delivery bin. If this beam is broken by a product, the machine knows that an item was delivered to the customer. If this beam is not broken, the machine assumes that nothing was vended and turns the selection spirals by $\frac{1}{4}$ turns until a product delivery is sensed. If, after the coils have turned a full revolution back to home without delivering a product, the customer will be asked to make another selection or to press the Coin Return button to receive their money back.

Certain products can be problematic for any vend sensing system. Products that are very thin or very small in size may, on occasion, miss the beams. With proper loading of the machine, sensing systems are irrelevant. A comfort level is provided to customers who walk up to the machine and know, through technology, they will not experience a "rip-off". For this reason, a vend sensor system is desirable – however, if you vend very small or very thin items, you may want to consider turning off your sensing system in case of malfunction via product size. See the Service Mode section of this manual, Advanced menu, Rows and Columns sub-menu, for instructions.

The Vigilant sensors are located inside the delivery bin as shown in Figure 17. There is a red indicator light located on the left side when viewing the bin from the inside with the door open. This light should be lit when the system is on, indicating that there is power to the system. Blocking any of the beams turns off the red indicator light, which means the system is working correctly.

Fig. 17 Vend Sensor System



Note: When performing Motor Tests without product loaded, it is a good idea to shut off the Vigilant system.

TROUBLESHOOTING

1.

NO DISPLAY ON THE FRONT PANEL

- a. Harness may be unplugged
- b. Transformer fuse tripped
- c. Restart machine
- d. Faulty display harness
- e. Display board defective

2.

SELECTION WILL NOT VEND

- a. Disconnected tray wire harness
- b. Detection system may be blocked, if enabled
- c. Vend mechanism binding on tray
- d. Product jammed
- e. Tray or Motor connection unplugged or faulty connection
- f. Defective motor

3.

MULTIPLE VENDS FROM ONE SELECTION

- a. Detection system malfunction, if enabled
- b. Defective motor switch
- c. Detection system may be blocked, if enabled

4.

MULTIPLE VENDS MORE THAN ONE SELECTION SIMULTANEOUSLY

- a. Defective motor
- b. Motor harness not plugged into the vend motor correctly
- c. Defective or damaged motor interface board [KS11]
- d. Tray cable faulty

5.

UNIT WILL NOT ACCEPT MONEY

- a. All Prices are set to zero or machine is set to Free Vend
- b. Will not accept bill if coins in coin changer below the minimum level
- c. Will not accept more than one bill if the bill equal or exceeds the highest priced item.
- d. No power to system control board
- e. Coin Mechanism or Bill acceptor defective.

7.

MACHINE WILL NOT COOL

- a. Press the "0" key on the keypad to get a temperature reading
- b. Verify that Temp Set is 43° F in Service Mode. Note: Setting the temperature too cold will put your evaporator at risk of freezing up.
- c. Verify that all fans are running
- d. Clean the condenser
- e. Remove your refrigeration deck and inspect for ice.

Q: I rearranged my trays and now some selections don't work. Display says Make Alternate Selection.

A: Enter the service mode, press "7" to home & count motors. The motors will now be automatically updated.

Q: My machine will not take in bills but accepts change ok.

A: Several options here but the most common especially when first setting up the machine is that there is not enough change in the changer. By looking at the display it will give you a clue as to what may be wrong. If the display reads "Please Insert Exact Money...." that indicates there is not enough change in the changer. Fill the coin tubes completely full. Completely full means you can't get any more change into the coin tube. Press the coin return button and the display should show Canceling. The display should now show "Please Insert Money....." without the word Exact.

Q: My machine still will not accept bills and the display does not indicate exact change.

A: If the validator takes in the bill partially but ejects it back out, that indicates that the bill may be unacceptable or the validator needs cleaning. Check for a jammed bill behind the bill box. Follow the validator manufacturer's recommendation for cleaning.

Q: My machine will accept \$1 bills but not \$5 bills.

A: This situation can depend on several factors. Make sure the bill validator is set to accept \$5 bills. The amount of change being reported in the changer must accommodate the highest vending price in the machine, so make sure the changer is full of change. If you are vending high priced items you may need to replace the changer with a larger capacity model.

Q: My machine will not accept the new \$5 bills.

A: Contact the bill validator manufacturer for upgrade instructions. Not accepting currency that has been changed due to a Federal Government mandate is not covered under our manufacturer's warranty.

Q: My machine will vend a product, display Vend Error then give my money back or allow me take make an alternate selection.

A: My machine will vend a product, display Vend Error then give my money back or allow me take make an alternate selection.

A: This indicates there is a problem detected with the vend motor. Each vend motor has a small micro switch inside that indicates when the motor has made one full revolution and returns back to what is referred to as the "home position". If this signal is not received back to the controller in a specified amount of time the controller will indicate an error and refund the money. The problem could be in an individual motor itself, the tray wire harness or any connection in between the tray to the control board. If the whole tray acts this way that usually indicates that the tray harness or any connection in between to the controller may be bad. If it is an individual motor, the motor count you see when entering service mode will not have the correct count. The easiest way to troubleshoot this situation would be to swap tray connections where the tray harness plug plugs into the machine. For example if the problem appears on tray 1, unplug tray 1 and tray 2 (assuming they both have the same number of selections), swap the connections and plug tray 1 into tray 2 receptacle and vice versa. Now do your test vending by selecting the tray 2 selections on the keypad and the tray 1 should operate. If the problem follows the tray then suspect either the motor or the tray cable harness. If the problem stays with the A receptacle and now the B tray exhibits the problem then the problem is in a connection somewhere between the A receptacle and the controller board. Make sure to examine any and all connections for any loose wires, etc.

Q: My display is dead or intermittent but the rest of the machine appears to be working.

A: Check the gray flat ribbon cable connection between the display and the controller board to insure the plugs are plugged in securely.

Q: My machine will not cool.

A:

1. Make sure the machine programming is set up properly. Factory setting is 39°F. Setting the machine any lower could cause the machine to freeze up.
2. Inspect the evaporator coil to see if it may be frozen over. Using a flashlight shine it into the evaporator fan located under the bottom tray. You are looking for aluminum fins behind the fan motor. If they are completely white or solid with ice this will keep the air from flowing properly and cause the machine to not cool. To thaw out remove the 4 prong condensing unit plug, not the evaporator fan plug and just close the door and let set for overnight to insure it completely defrosts. Be prepared in case the defrost water pan overflows on the floor. You may need to set some towels around and under the machine to catch any overflow. After the machine is thawed completely out you will want to check the temperature settings to insure they are not set too cold.
3. Check the door switch. The easiest test is to close the door, then while opening the door watch the display to see if you see the message No Errors and hear an audible beep. If you do not then suspect the door switch may need adjustment. You can reach over the door and press it manually while watching the display to see if it works.
4. As a manual test of the cooling system you can enter the Test Mode section of the menu and select the Test Relays function. Relay 1 controls the condensing unit, and Relay 2 controls the evaporator fan. If either one does not turn on while testing, then suspect a relay has quit working or connection has become loose.

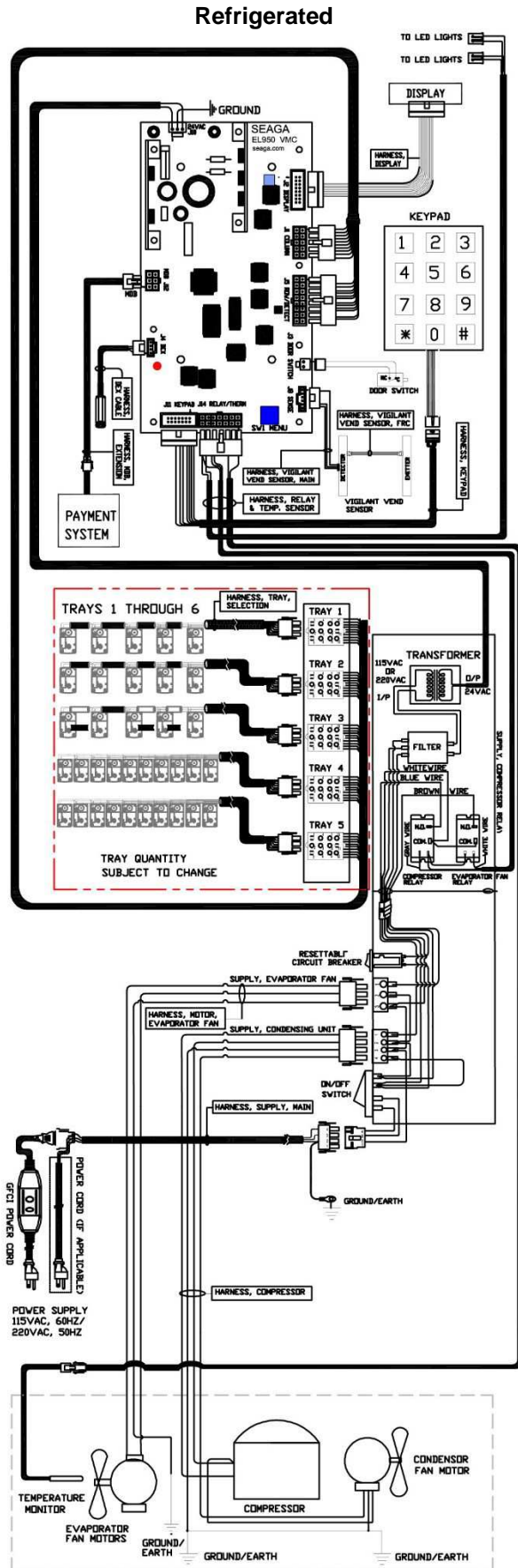
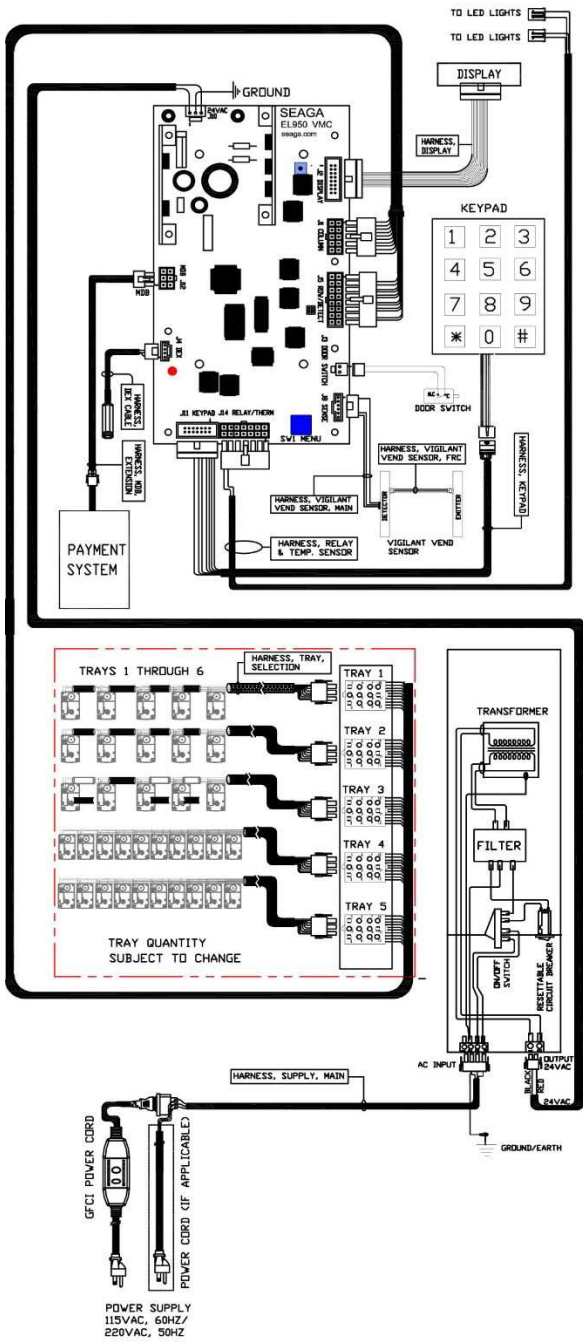
Revision 2

CAUTIONS:

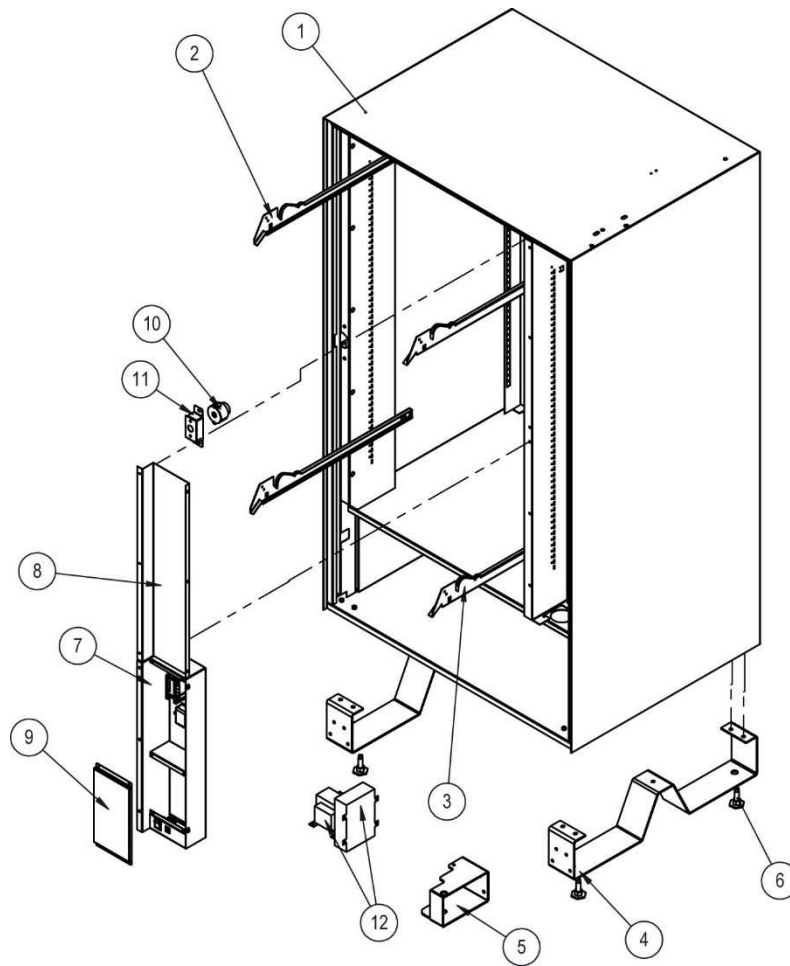
1. High voltage is located in the area of the unit and could cause injury or death.
2. Replacement of the bill acceptor, coin changer, front panel display, system control board or

Wiring Diagrams

Ambient

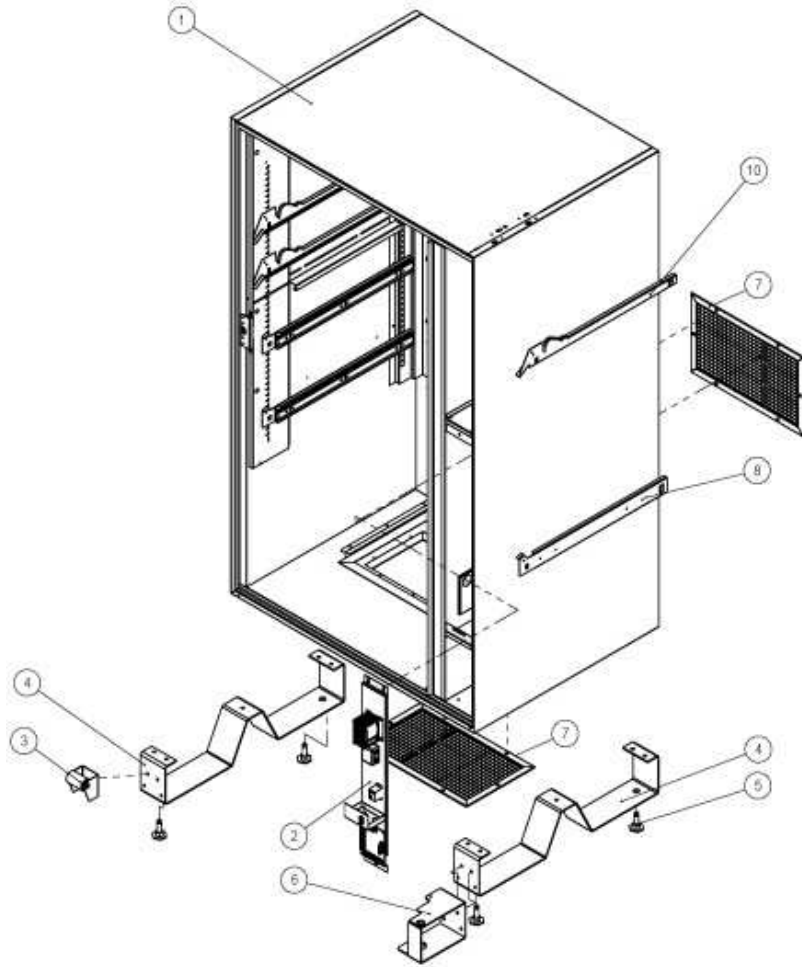


Ambient Cabinet Assembly



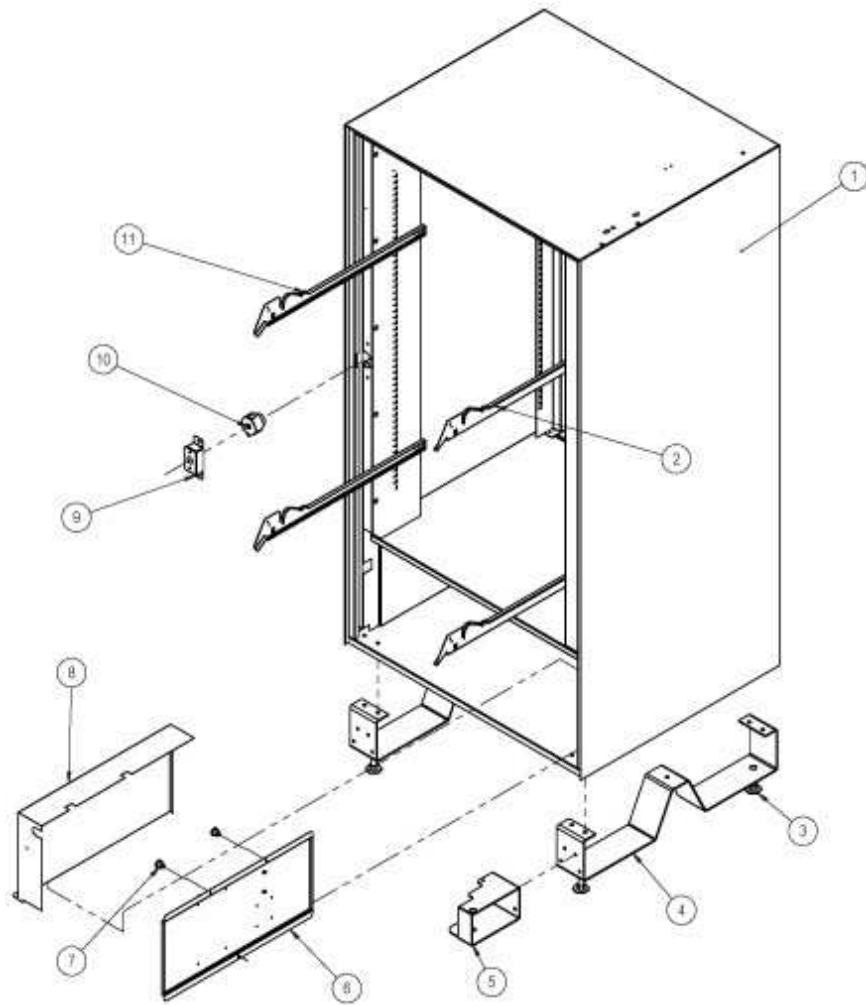
ITEM	PART NO.	DESCRIPTION
1	SAI88002A	CABINET (5-WIDE AMBIENT)
1	SAI70006A	CABINET (4-WIDE AMBIENT)
2	STI900	RAIL, TRAY, LEFT
3	STI901	RAIL, TRAY, RIGHT
4	STI573A	LEGS
5	SAI778	SUPPORT, DOOR
6	HAI705	LEVELER, LEG
7	SAI88004	ASSEMBLY, ELECTRICAL BOX
8	STI70039	PANEL, WIRING DIAGRAM
9	STI70034	COVER, TRANSFORMER
10	HAC910	SPLIT NUT, T-HANDLE LOCK
11	STI87038	BRACKET, SPLIT NUT MOUNTING
12	ELI989	STABILIZER (OPTIONAL)

Refrigerated Cabinet Assembly



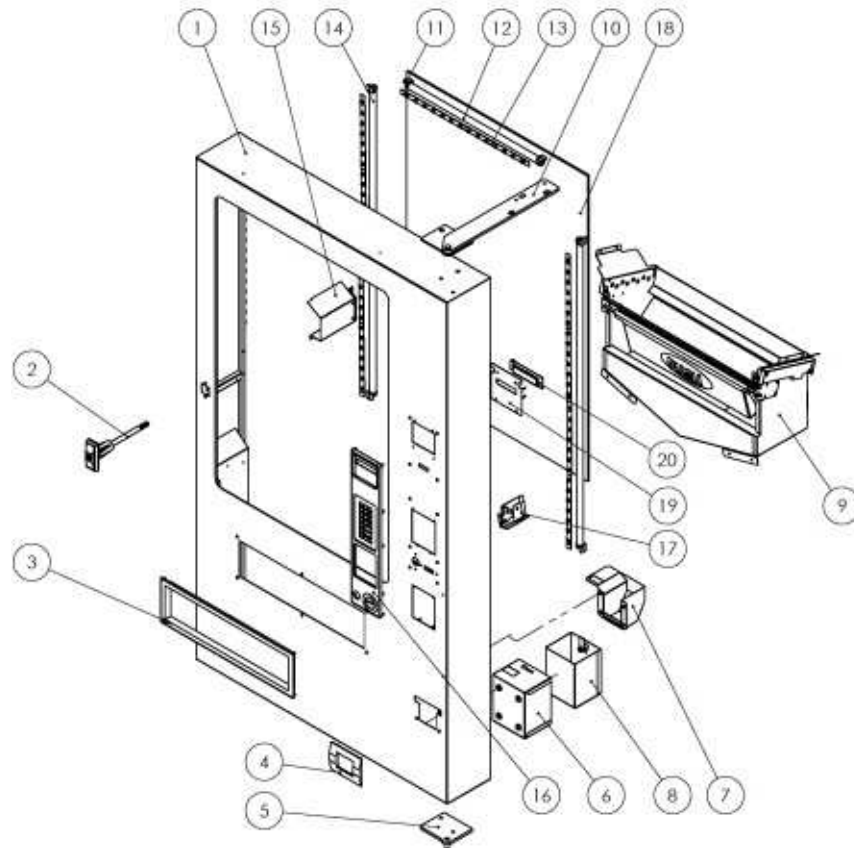
ITEM	PART NO.	DESCRIPTION
1	SAI87001	CABINET, INSULATED (5-WIDE REFRIGERATED)
1	SAI84007	CABINET, INSULATED (4-WIDE REFRIGERATED)
2	SAI793	ASSEMBLY, ELECTRICAL PANEL
3	SAI764A	ASSEMBLY, DOOR SUPPORT ROLLER
4	STI573A	LEGS
5	HAI705	LEVELER, LEG
6	SAI781A	SUPPORT, DOOR
7	STI58022	GRILL
8	STI579	RAIL, BEVERAGE TRAY, LEFT/RIGHT
9	STI900	RAIL, SNACK TRAY, LEFT
10	STI901	RAIL, SNACK TRAY, RIGHT

Satellite Cabinet Assembly



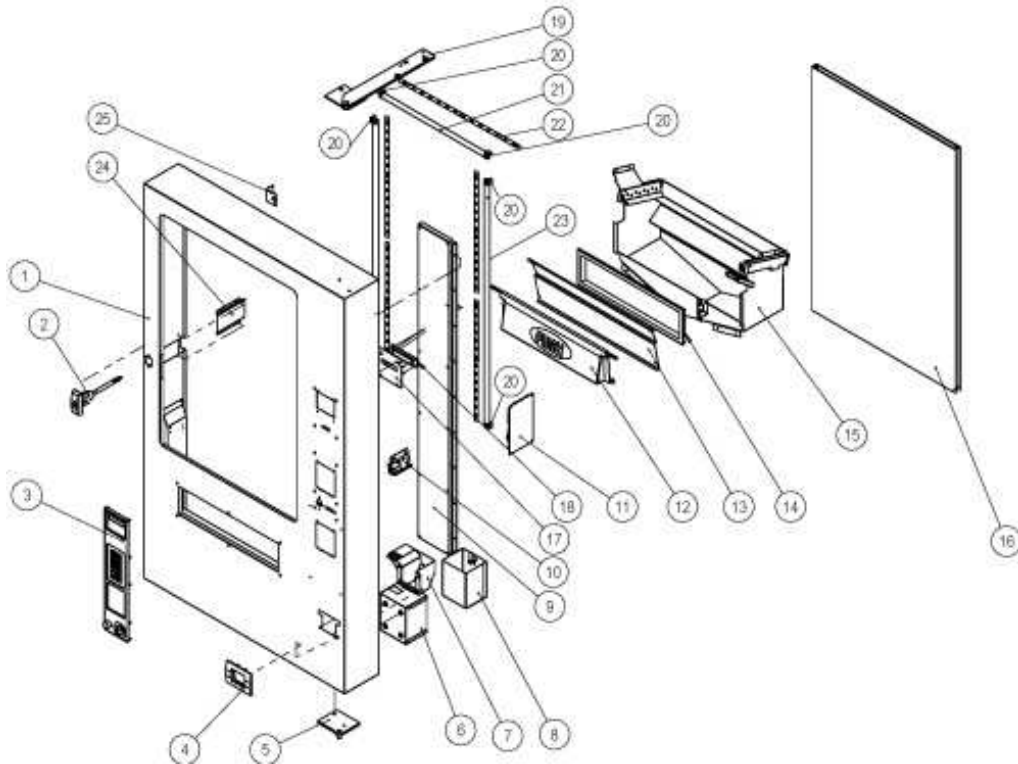
ITEM	PART NO.	DESCRIPTION
1	SAI89002	ASSEMBLY, MAIN CABINET
2	STI901	RAIL, SNACKS TRAY, RIGHT
3	HAI705	LEVELER, LEG
4	STI573A	LEGS
5	SAI778	SUPPORT, DOOR
6	SAI804	ASSEMBLY, ELECTRICAL PANEL
7	PLI613	KNOB, BLUE
8	STI89007	COVER, ELECTRICAL PANEL
9	STI57038	BRACKET, SPLIT NUT MOUNTING
10	HAC910	SPLIT NUT, T-HANDLE
11	STI900	RAIL, SNACKS TRAY, LEFT

Ambient Door Assembly



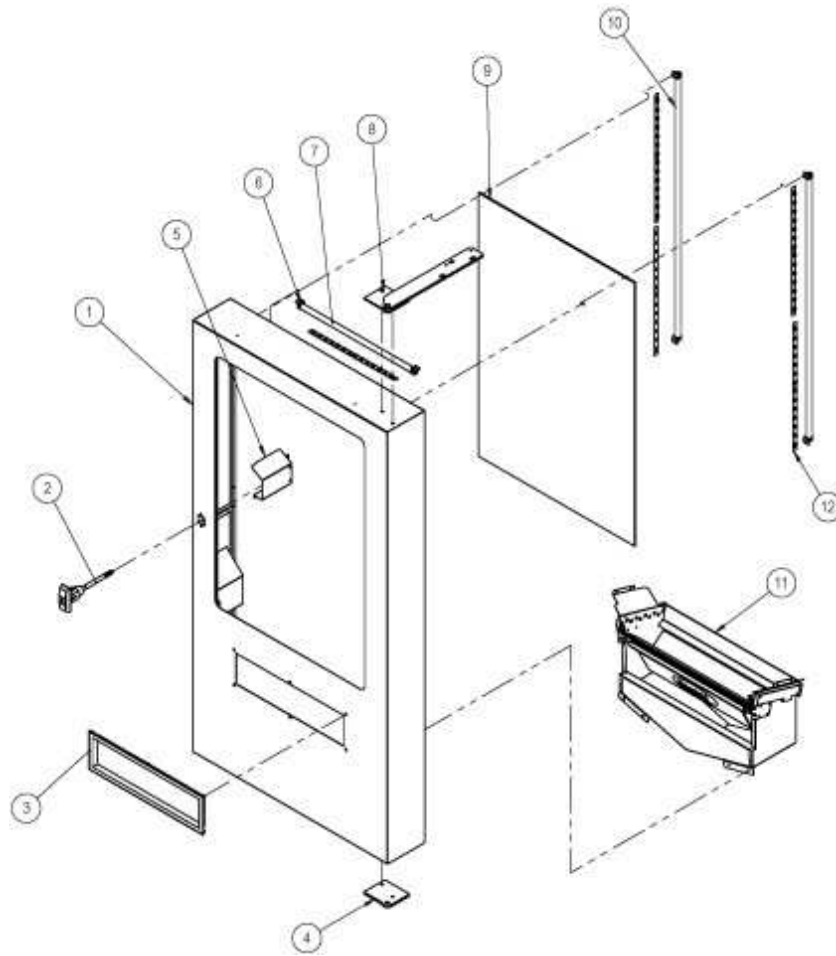
ITEM	PART NO.	DESCRIPTION
1	SAI88012B	ASSEMBLY, DOOR (5-WIDE AMBIENT)
1	SAI70003A	ASSEMBLY, DOOR (4-WIDE AMBIENT)
2	ELC909	T-HANDLE
3	PLI940	FRAME, DELIVERY DOOR
4	PLI939	BEZEL, COIN RETURN
5	SAI780	ASSEMBLY, HINGE, BOTTOM
6	SAI87033	ASSEMBLY, GUIDE COIN BOX
7	SAI87038	COIN RETURN CUP
8	SAI87035	COIN OVERFLOW BOX
9	SAI809	ASSEMBLY, DELIVERY BIN (5-WIDE AMBIENT)
9	SAI810	ASSEMBLY, DELIVERY BIN (4-WIDE AMBIENT)
10	SAI777	ASSEMBLY, HINGE, TOP
11	PLI2082	CAP, TUBE, LED
12	HAI990A	TUBE, LED
13	ELI962	LED
14	HAI990	TUBE, LED
15	STI87025A	COVER, DOOR LOCK
16	PLI936	BEZEL, KEYPAD
17	SAI773A	ASSEMBLY, COIN RELEASE
18	GLI953A	GLASS (5-WIDE AMBIENT)
18	GLI962	GLASS (4-WIDE AMBIENT)
19	STI70062	PLATE, DISPLAY MOUNTING
20	ELI909	DISPLAY

Refrigerated Door Assembly



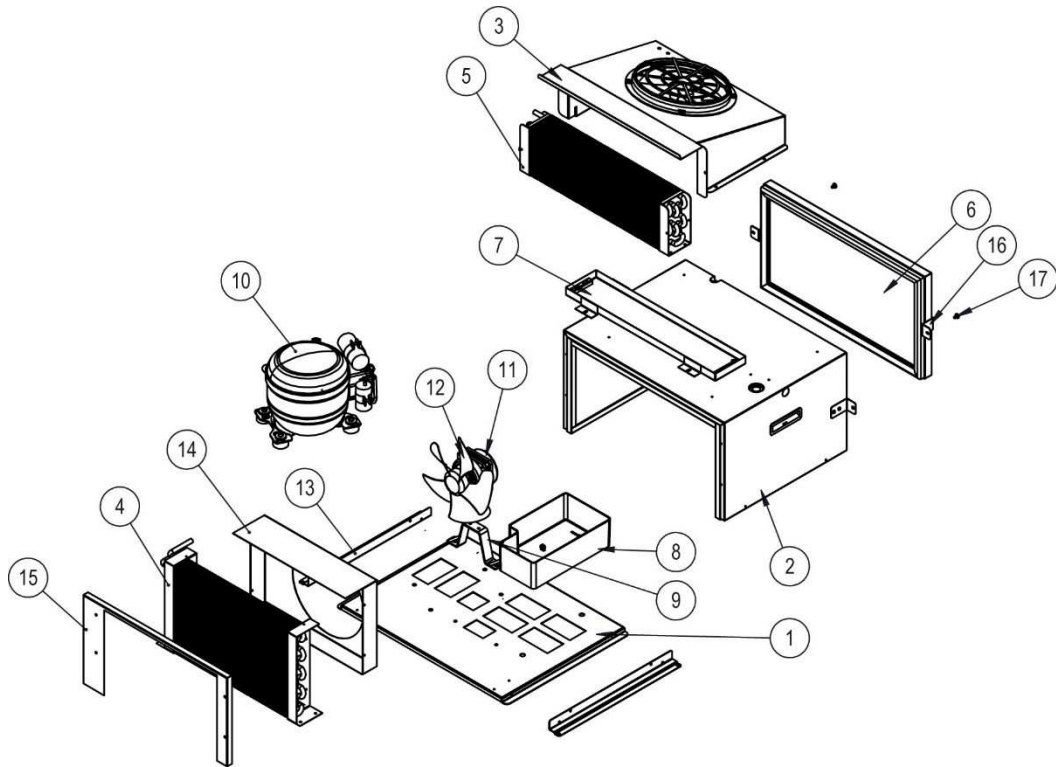
ITEM	PART NO.	DESCRIPTION
1	SAI87009	ASSEMBLY, DOOR, INSULATED (5-WIDE)
1	SAI84009	ASSEMBLY, DOOR, INSULATED (4-WIDE)
2	ELC909	T-HANDLE
3	PLI936	BEZEL, KEYPAD
4	PLI939	BEZEL, COIN RETURN
5	SAI780	ASSEMBLY, HINGE, BOTTOM
6	SAI87033	BRACKET, COIN BOX
7	SAI87038	COIN RETURN CUP
8	SAI87035	COIN OVERFLOW BOX
9	SAI87031	ASSEMBLY, ELECTRICAL DOOR, REFRIGERATED
10	SAI773A	ASSEMBLY, COIN RELEASE
11	ELI900	VMC
12	PLI943A	DELIVERY DOOR (5-WIDE)
12	PLI943	DELIVERY DOOR (4-WIDE)
13	STI87049	PANEL, ANTI-THEFT (5-WIDE)
13	STI58036	PANEL, ANTI-THEFT, BIN (4-WIDE)
14	PLI940	DELIVERY DOOR
15	SAI785	ASSEMBLY, DELIVERY BIN (5-WIDE REFRIGERATED)
15	SAI360	ASSEMBLY, DELIVERY BIN (4-WIDE REFRIGERATED)
16	GLI954A	GLASS, INSULATED (5-WIDE)
16	GLI952A	GLASS, INSULATED (4-WIDE)
17	STI70061	PLATE, DISPLAY MOUNTING
18	ELI909	DISPLAY
19	SAI777	ASSEMBLY, HINGE, TOP
20	PLI2082	CAP, TUBE, LED
21	HAI990A	TUBE, LED
22	ELI962	LED
23	HAI990	TUBE, LED
24	STI87025A	COVER, DOOR LOCK 5-WIDE
24	STI87025B	COVER, DOOR LOCK 4-WIDE
25	STI70033	BRACKET, DEX SUPPORT

Satellite Door Assembly



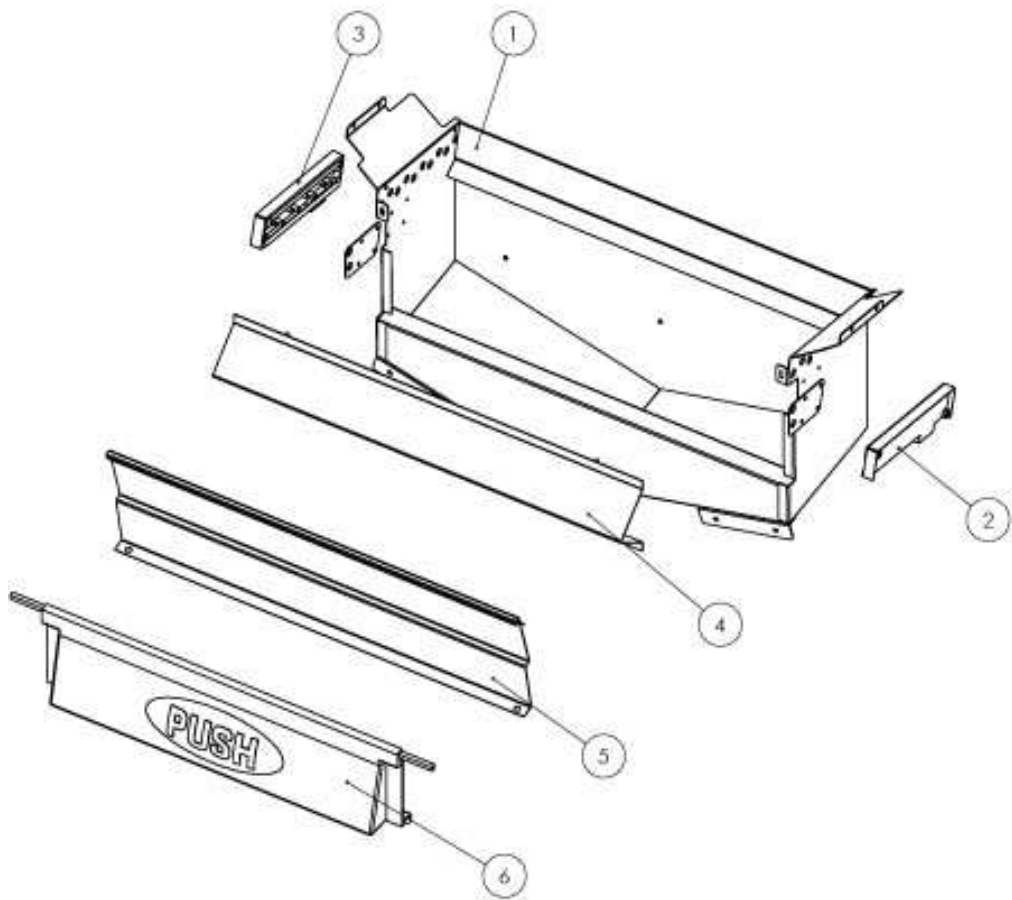
ITEM	PART NO.	DESCRIPTION
1	SAI89006	ASSEMBLY, DOOR
2	HAC909	T-HANDLE
3	PLI940	FRAME, DELIVERY DOOR
4	SAI780	ASSEMBLY, HINGE, BOTTOM
5	STI70058	COVER, DOOR LOCK
6	PLI2082	CAP, TUBE, LED
7	HAI990A	TUBE, LED
8	SAI777	ASSEMBLY, HINGE, TOP
9	GLI953A	GLASS (5-WIDE AMBIENT)
10	HAI990	TUBE, LED
11	SAI809A	ASSEMBLY, DELIVERY BIN, SATELLITE
12	ELI962C	LED

Refrigeration Deck Assembly



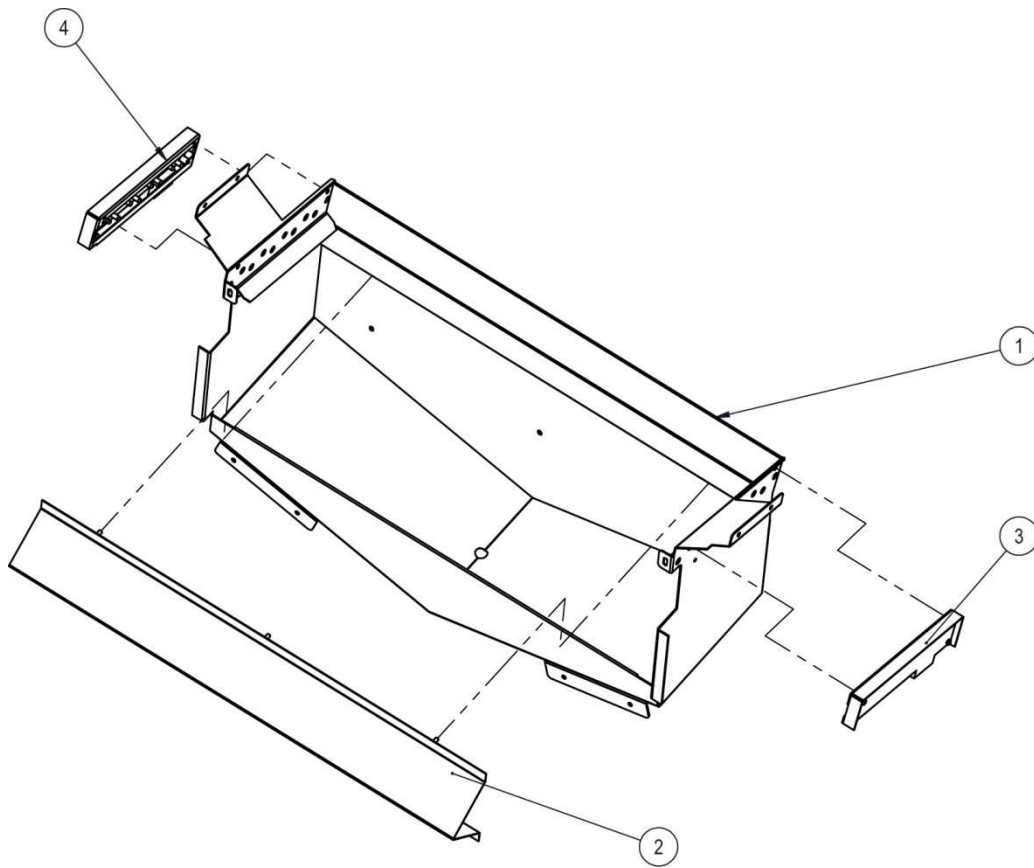
ITEM	PART NO.	DESCRIPTION
1	STI87029d	TRAY, REFRIGERATION DECK
2	SAI87011	DECK HOUSING
3	SAI87051	ASSEMBLY, EVAPORATOR HOUSING
4	REI834	CONDENSER
5	REI830	EVAPORATOR
6	SAI87013	DOOR REFRIGERATION DECK
7	SAI87013	TRAY, EVAPORATOR
8	PLI2086	TRAY, CONDENSATE
9	STI578	BRACKET, CONDENSER MOTOR
10	REI872	COMPRESSOR
11	REI612	MOTOR, CONDENSOR
12	REI861	BLADE, CONDENSOR
13	STI87036	L-ANGLE, REF. DECK HOUSING
14	STI87037	SHROUD, CONDENSER
15	STI87038	BRACKET, CONDENSER
16	STI87019A	BRACKET, KNOB MOUNTING
17	PLI613	SCREW, KNOB

Ambient Delivery Bin Assembly



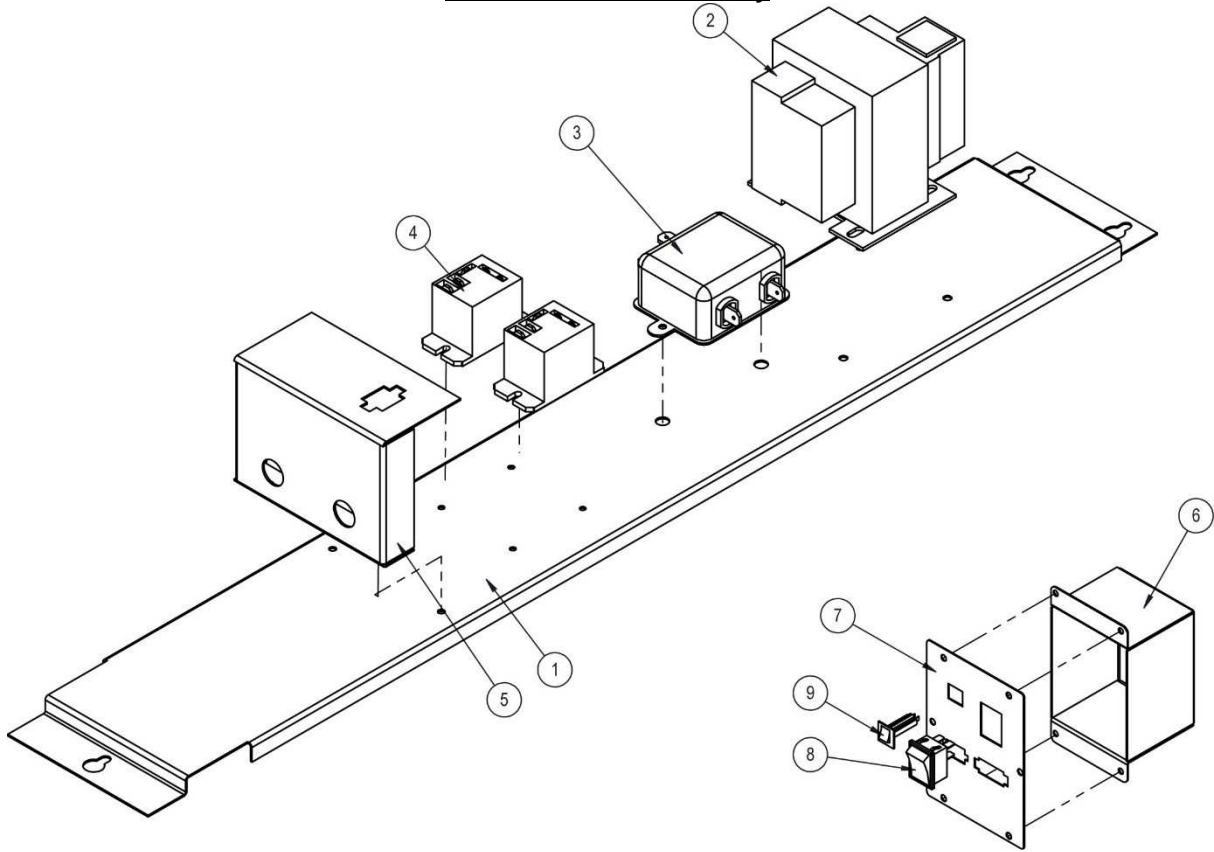
ITEM	PART NO.	DESCRIPTION
1	SAI70009A	DELIVERY BIN ASSEMBLY (5-WIDE)
1	SAI70021A	DELIVERY BIN ASSEMBLY (4-WIDE)
2	SAI775	VEND SENSOR ASSEMBLY, RIGHT
3	SAI779	VEND SENSOR ASSEMBLY, LEFT
4	STI87055	ANTI-THEFT BRACKET (5-WIDE)
4	STI58034	ANTI-THEFT BRACKET (4-WIDE)
5	STI87049	PANEL, DELIVERY BIN (5-WIDE)
5	STI58036	PANEL, DELIVERY BIN (4-WIDE)
6	PLI943A	DELIVERY DOOR (5-WIDE)
6	PLI943	DELIVERY DOOR (4-WIDE)

Refrigerated Delivery Bin Assembly



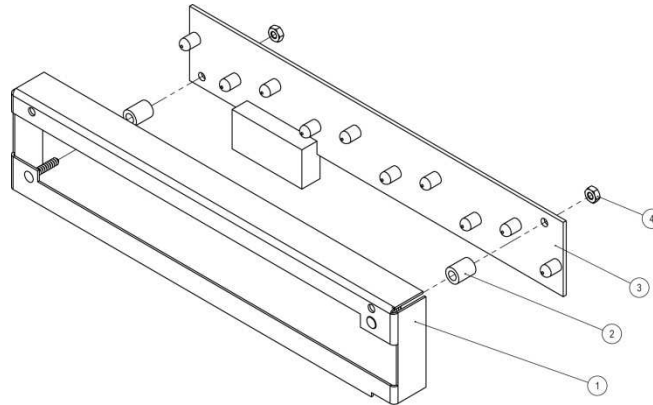
ITEM	PART NO.	DESCRIPTION
1	SAI87016	DELIVERY BIN ASSEMBLY (5-WIDE)
1	SAI58010	DELIVERY BIN ASSEMBLY (4-WIDE)
2	STI87055	ANTI-THEFT BRACKET (5-WIDE)
2	STI58034	ANTI-THEFT BRACKET (4-WIDE)
3	SAI775	VEND SENSOR ASSEMBLY, RIGHT
4	SAI779	VEND SENSOR ASSEMBLY, LEFT

Electrical Panel Assembly



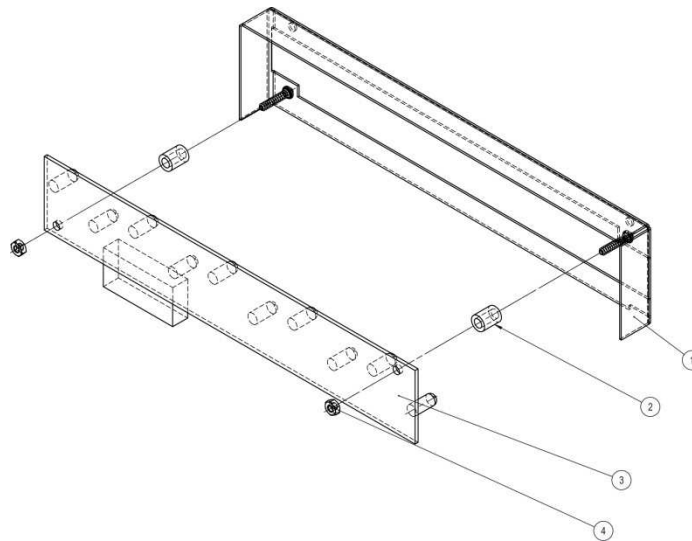
ITEM	PART NO.	DESCRIPTION
1	STI87017	ELECTRIC PANEL
2	ELC478	TRANSFORMER
3	ELI946	FILTER
4	ELI764	RELAY
5	STI84018	SWITCH BRACKET
6	STI84019A	POWER BOX
7	STI84020A	ELECTRICAL BOX FRONT PLATE
8	ELI916	ON/OFF SWITCH
9	ELI972A	CIRCUIT BREAKER

Vigilant Vend Sensor. Right Side Assembly



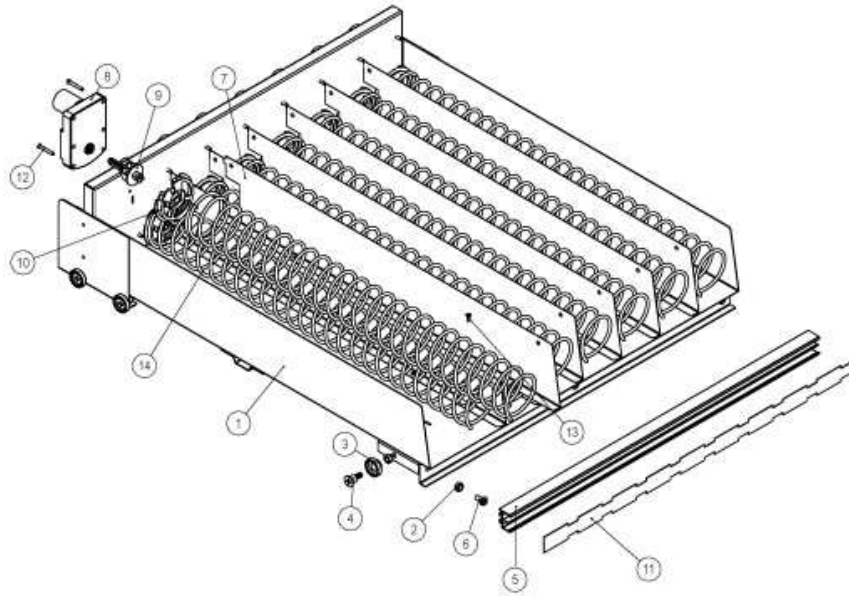
ITEM	PART NO.	DESCRIPTION
1	STI70086	SENSOR BRACKET
2	PLI609A	SPACER
3	ELI974	EMITTER
4	FAI922	NUT

Vigilant Vend Sensor. Left Side Assembly



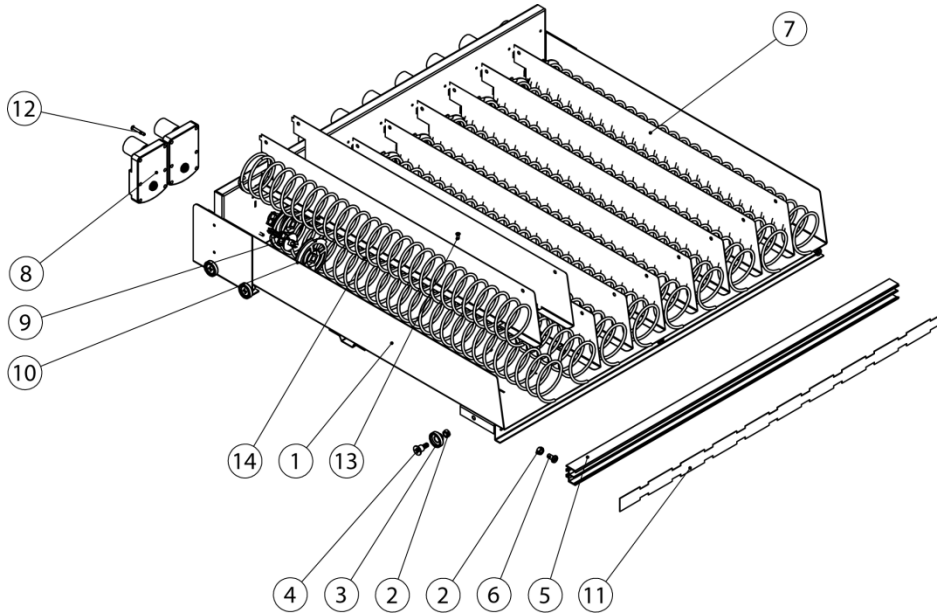
ITEM	PART NO.	DESCRIPTION
1	STI70086	SENSOR BRACKET
2	PLI609A	SPACER
3	ELI2169	DETECTOR
4	FAI922	NUT

8 Space Tray Assembly, Confectionery (Candy)



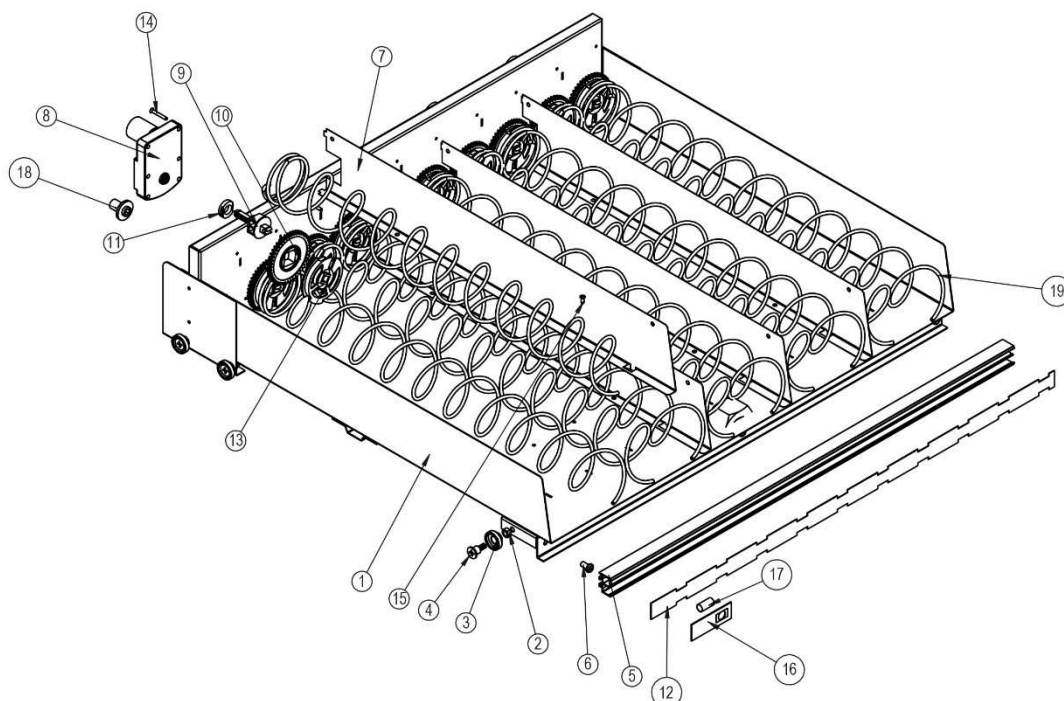
ITEM	PART NO.	DESCRIPTION
1	SAI84024	ASSEMBLY, WELDED TRAY
2	FAI923	NUT, NYLOCK, M6
3	PLI802A	WHEEL, TRAY
4	HAI602	PIN, WHEEL, TRAY
5	PLC958	PROFILE, PRICE SELECTION
6	HAI976	PIN, PROFILE LABEL HOLDING
7	STI70010A	PARTITION, TRAY
8	ELC920	MOTOR
9	PLI721C	SHAFT, GEAR MOTOR
10	PLI331	HUB, COIL, RETAINER
11	PLI84001	STRIP, PRICE SCROLL, HOLDING
12	FAI882	SCREW
13	FAI892	SCREW
14	WFI602	COIL, 18 SPACE, RIGHT
-	WFI552	COIL, 15 SPACE, RIGHT
-	WFI524	COIL, 24 SPACE, RIGHT

10 Space Tray Assembly, Confectionery (Candy)



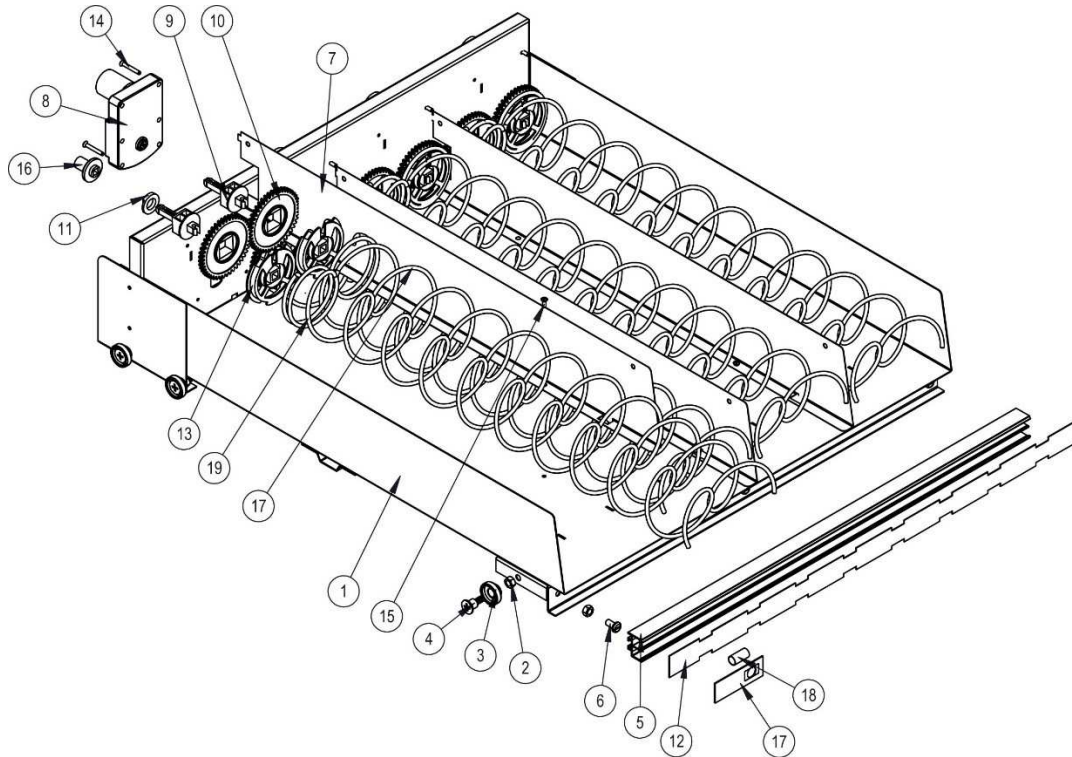
ITEM	PART NO.	DESCRIPTION
1	SAI87041	ASSEMBLY, WELDED TRAY
2	FAI923	NUT, NYLOCK, M6
3	PLI802A	WHEEL, TRAY
4	HAI602	PIN, WHEEL, TRAY
5	PLC958	PROFILE, PRICE SELECTION
6	HAI976	PIN, PROFILE LABEL HOLDING
7	STI70010A	PARTITION, TRAY
8	ELC920	MOTOR
9	PLI721C	SHAFT, GEAR MOTOR
10	PLI331	HUB, COIL, RETAINER
11	PLI87001	STRIP, PRICE SCROLL, HOLDING
12	FAI882	SCREW
13	FAI892	SCREW
14	WFI602	COIL, 18 SPACE, RIGHT
-	WFI552	COIL, 15 SPACE, RIGHT
-	WFI524	COIL, 24 SPACE, RIGHT

5 Space Tray Assembly, Snack Dual Coil



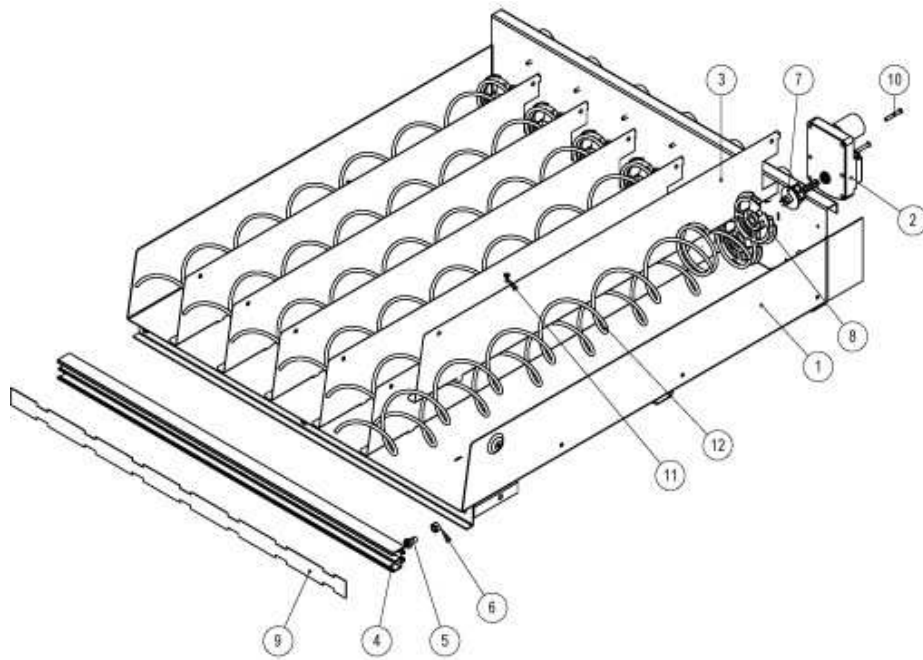
ITEM	PART NO.	DESCRIPTION
1	SAI87041	ASSEMBLY, WELDED TRAY
2	FAI923	NUT, NYLOCK
3	PLI802A	WHEEL, TRAY
4	HAI602	PIN, WHEEL, TRAY
5	PLC958	PROFILE, PRICE SELECTION
6	HAI976	PIN, PROFILE LABEL HOLDING
7	STI70010A	PARTITION, TRAY
8	ELC920	MOTOR
9	PLI721C	SHAFT, GEAR MOTOR
10	PLI536	GEAR
11	PLI332A	BUSHING, DUAL COIL (4MM)
12	PLI87001	STRIP, PRICE SCROLL, HOLDING
13	PLI331	HUB, COIL, RETAINER
14	FAI932	SCREW
15	FAI892	SCREW
16	DEI315B	SELECTION
17	DE140	PRICE SCROLL
18	PLI336C	RETAINER SLEEVE GEAR
19	WFI548	COIL, 10 SPACE, LEFT
-	WFI549	COIL, 10 SPACE, RIGHT
-	WFI568	COIL, 12 SPACE, LEFT
-	WFI569	COIL, 12 SPACE, RIGHT

4 Space Tray Assembly, Snack Dual Coil



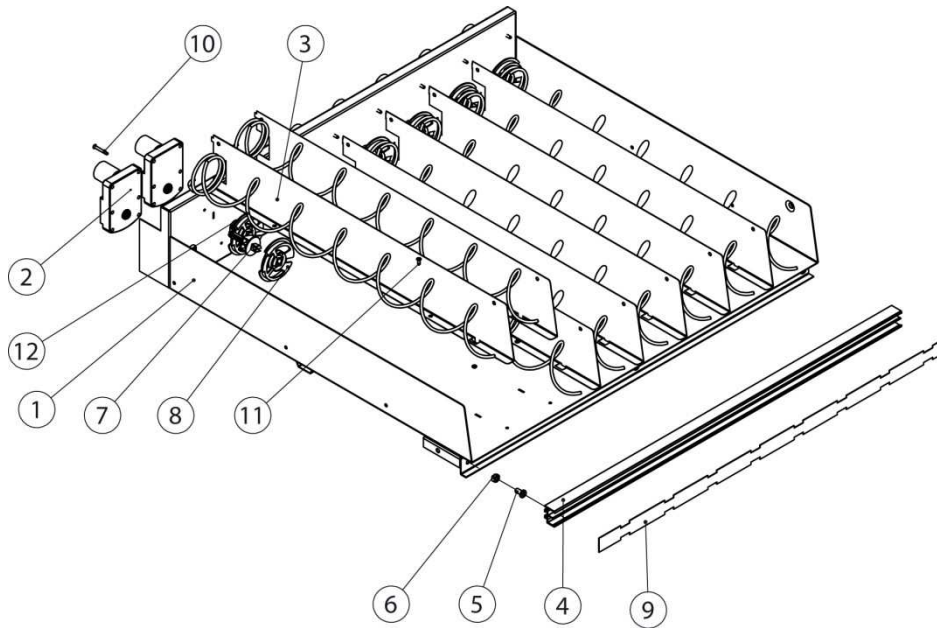
ITEM	PART NO.	DESCRIPTION
1	SAI84024	ASSEMBLY, WELDED TRAY
2	FAI923	NUT, NYLOCK
3	PLI802A	WHEEL, TRAY
4	HAI602	PIN, WHEEL, TRAY
5	PLC958	PROFILE, PRICE SELECTION
6	HAI976	PIN, PROFILE LABEL HOLDING
7	STI70010A	PARTITION, TRAY
8	ELC920	MOTOR
9	PLI721C	SHAFT, GEAR MOTOR
10	PLI536	GEAR
11	PLI332A	BUSHING, DUAL COIL
12	PLI84001	STRIP, PRICE SCROLL, HOLDING
13	PLI331	HUB, COIL, RETAINER
14	FAI932	SCREW
15	FAI892	SCREW
16	PLI336c	RETAINER SLEEVE, GEAR
17	DEI315B	SELECTION
18	DE140	PRICE SCROLL
19	WFI548	COIL, 10 SPACE, LEFT
-	WFI549	COIL, 10 SPACE, RIGHT
-	WFI568	COIL, 12 SPACE, LEFT
-	WFI59	COIL, 12 SPACE, RIGHT

7 Space Tray Assembly, Beverage



ITEM	PART NO.	DESCRIPTION
1	SAI84028	ASSEMBLY, WELDED TRAY, 7-SELECTION
2	ELC920	MOTOR
3	STI70010A	PARTITION, TRAY
4	PLC958	PROFILE, PRICE SELECTION
5	HAI976	PIN, PROFILE LABEL HOLDING
6	FAI923	NUT, NYLOCK
7	PLI721C	SHAFT, GEAR MOTOR
8	PLI331	HUB, COIL, RETAINER
9	PLI84002	STRIP, PRICE SCROLL, HOLDING FOR 7 SELECTION TRAY
10	FAI882	SCREW
11	FAI892	SCREW
12	WFI576	COIL, 6 SPACE, RIGHT

8 Space Tray Assembly, Beverage



ITEM	PART NO.	DESCRIPTION
1	SAI87040	ASSEMBLY, WELDED TRAY
2	ELC920	MOTOR
3	STI70010A	PARTITION, TRAY
4	PLC958	PROFILE, PRICE SELECTION
5	HAI976	PIN, PROFILE LABEL HOLDING
6	FAI923	NUT, NYLOCK
7	PLI721C	SHAFT, GEAR MOTOR
8	PLI331	HUB, COIL, RETAINER
9	PLI87001A	STRIP, PRICE SCROLL, HOLDING
10	FAI882	SCREW
11	FAI892	SCREW
12	WFI576	COIL, 6 SPACE, RIGHT

